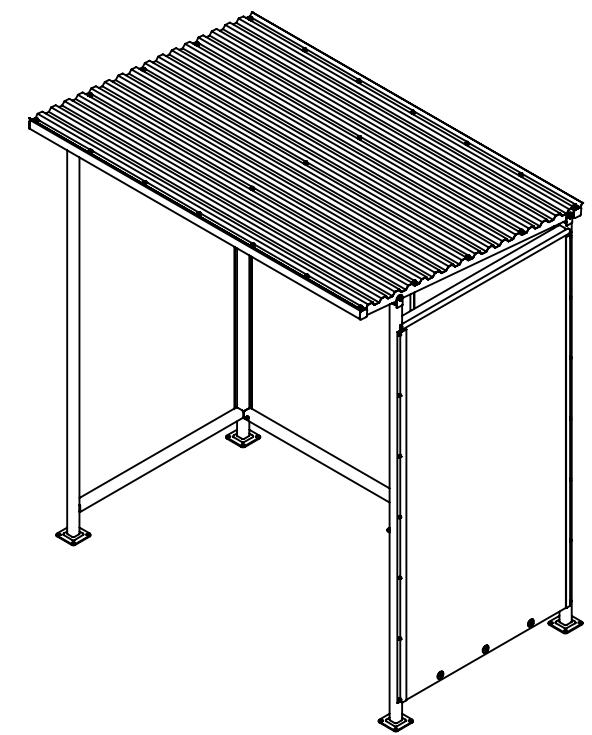
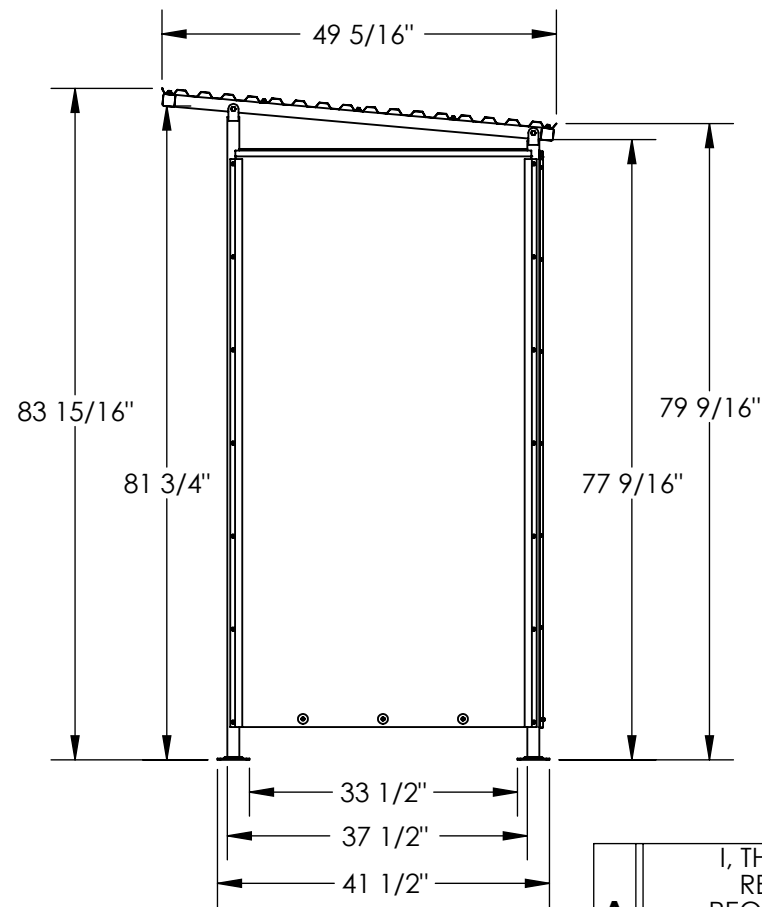
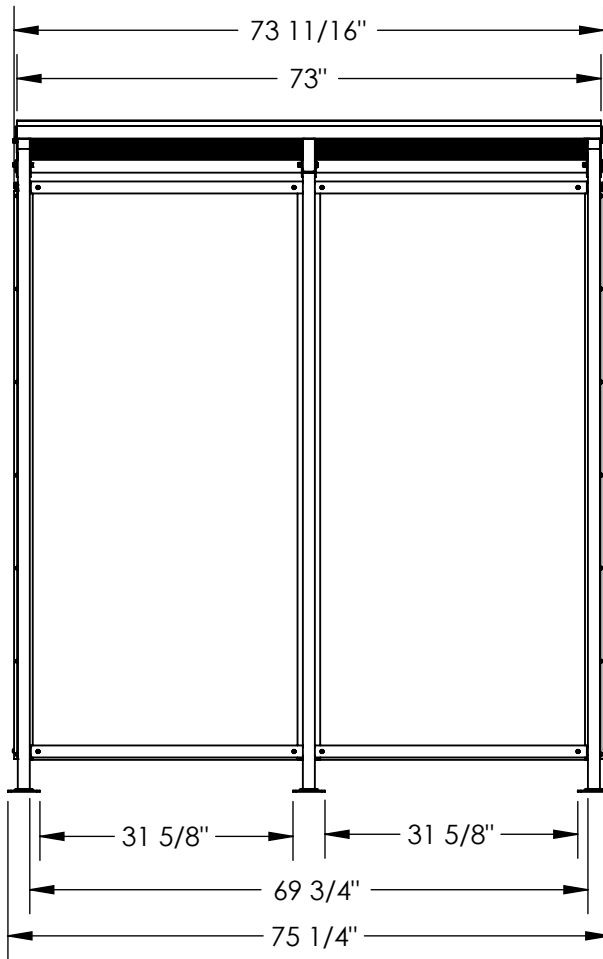


SMOKING SHELTER - SSH-7939-80

APPROX WEIGHT: 368.19 lbs.
 DOES NOT INCLUDE WEIGHT OF POWER OR PACKAGING!!!

*** ANY ADDITIONS, DELETIONS, OR OMISSIONS MUST BE CORRECTED ON THIS DRAWING AS THIS DRAWING WILL BE CONSIDERED ALL INCLUSIVE ***

ALL GRAPHICS PROVIDED ARE FOR REFERENCE ONLY. IF CERTAIN DIMENSIONS ARE CRITICAL PLEASE VERIFY THOSE DIMENSIONS WITH YOUR SALESPERSON



3D VIEW SHOWN FOR REFERENCE ONLY

DIMENSION TOLERANCE ± 1/4"

STANDARD FEATURES

- MODEL NUMBER IS SSH-7939-80
- OVERALL DEPTH IS 73 11/16"
- USABLE DEPTH IS 73"
- OVERALL WIDTH IS 75 1/4"
- USABLE WIDTH IS 69 3/4"
- OVERALL HEIGHT IS 83 15/16"
- USABLE HEIGHT IS 77 9/16"
- SEMI-CLEAR POLYCARBONATE SIDE PANELS
- CORRUGATED POLYCARBONATE ROOF
- WELDED STEEL CONSTRUCTION
- MOUNTING PLATES FOR ANCHORING
- TOUGH BAKED IN POWDER COATED SILVER FINISH ON ROOF
- HOLDS SNOW UP TO 45 LBS. PER SQ-FT

SPECIAL FEATURES

NONE

APPROVAL

I, THE UNDERSIGNED, AGREE THAT THE PRODUCT AS REPRESENTED SATISFIES DESIGN AND DIMENSION REQUIREMENTS. I ALSO ACKNOWLEDGE MY DUTY TO CONFIRM PRODUCT AND INSTALLATION COMPLIANCE WITH ALL APPLICABLE FEDERAL, STATE AND LOCAL REGULATIONS AND STANDARDS.

ANY MODIFIED UNITS ARE NON-RETURNABLE

[] As drawn [] As marked

Signed: _____ Date: _____

Printed Name: _____

LEAD TIME WILL START UPON RECEIPT OF SIGNED APPROVAL DRAWING

FOR INTERNAL USE ONLY PROJECT SIGN OFF	
SALES	
ENG.	
FAB.	
POWER	

DISTRIBUTOR'S NAME:		P.O.#
VESTIL MANUFACTURING		X
DRAWN BY: ND		W.O.#
DATE: 4/15/09		X
REFERENCE: X	SCALE: 1:24	SALES: X
QUOTED LEAD TIME: X	QUOTE #	FILE NAME:
	X	41-007-014