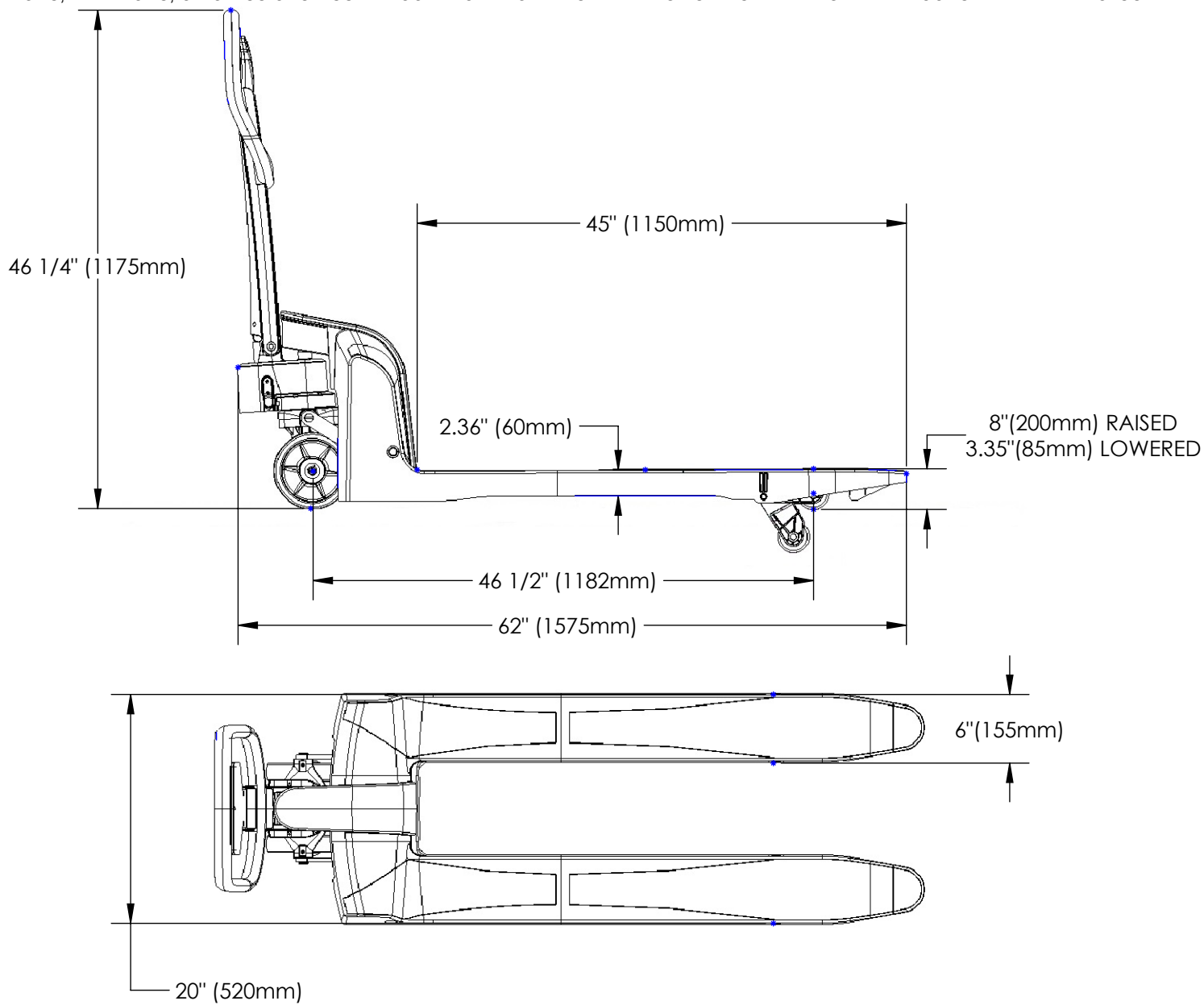


PALLET TRUCK - PMC-PPM-2045-G

APPROX WEIGHT: 83.77 lbs.
DOES NOT INCLUDE WEIGHT OF POWER OR PACKAGING!!!

ANY ADDITIONS, DELETIONS, OR OMISSIONS MUST BE CORRECTED ON THIS DRAWING AS THIS DRAWING WILL BE CONSIDERED ALL INCLUSIVE



WORK ONLY WITH OPEN BOTTOM SKIDS

ALL GRAPHICS PROVIDED ARE FOR REFERENCE ONLY. IF CERTAIN DIMENSIONS ARE CRITICAL PLEASE VERIFY THOSE DIMENSIONS WITH YOUR SALESPERSON

DIMENSION TOLERANCE ± 1/4"

STANDARD FEATURES

- MODEL NUMBER IS PMC-PPM-2045-G
- CAPACITY IS 2200 lbs (1000kg)
- OVERALL FORK WIDTH IS 20"
- USABLE WIDTH IS 20"
- OVERALL LENGTH IS 62"
- USABLE FORK LENGTH IS 45"
- OVERALL HEIGHT IS 46 1/4"
- RAISED FORK HEIGHT IS 8"
- LOWERED FORK HEIGHT IS 3 3/4"

SPECIAL FEATURES

NONE

APPROVAL	I, THE UNDERSIGNED, AGREE THAT THE PRODUCT AS REPRESENTED SATISFIES DESIGN AND DIMENSION REQUIREMENTS. I ALSO ACKNOWLEDGE MY DUTY TO CONFIRM PRODUCT AND INSTALLATION COMPLIANCE WITH ALL APPLICABLE FEDERAL, STATE AND LOCAL REGULATIONS AND STANDARDS.	
	ALL SPECIAL UNITS ARE NON-RETURNABLE	
	[] As drawn	[] As marked
	Signed: _____	Date: _____
LEAD TIME WILL START UPON RECEIPT OF SIGNED APPROVAL DRAWING		

DISTRIBUTOR'S NAME:		P.O.#
VESTIL MANUFACTURING		X
		W.O.#
		X
DRAWN BY: WB	DATE: 07/23/14	SALES: X
REFERENCE: X	SCALE: 1:48	FILE NAME:
QUOTED LEAD TIME: X	QUOTE # X	15-007-135