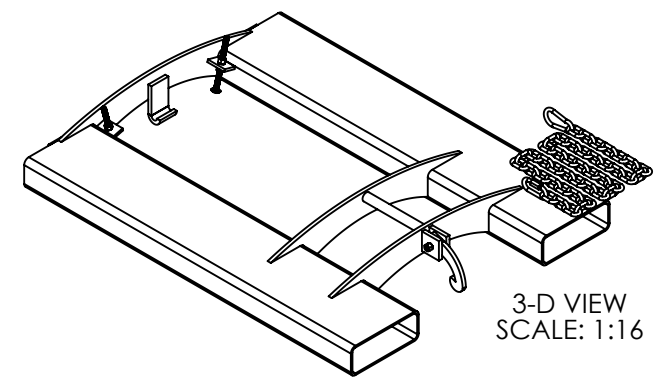
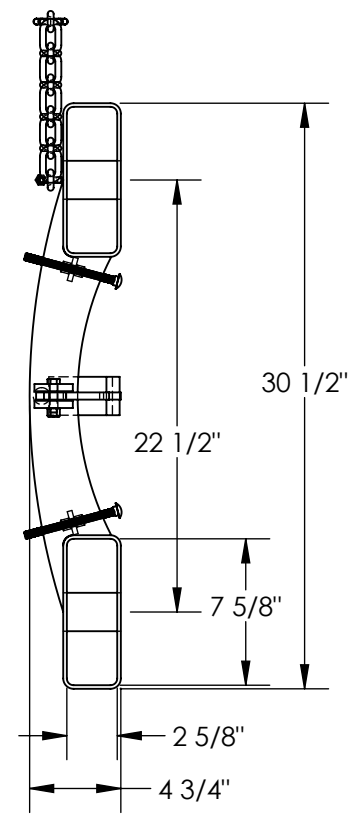
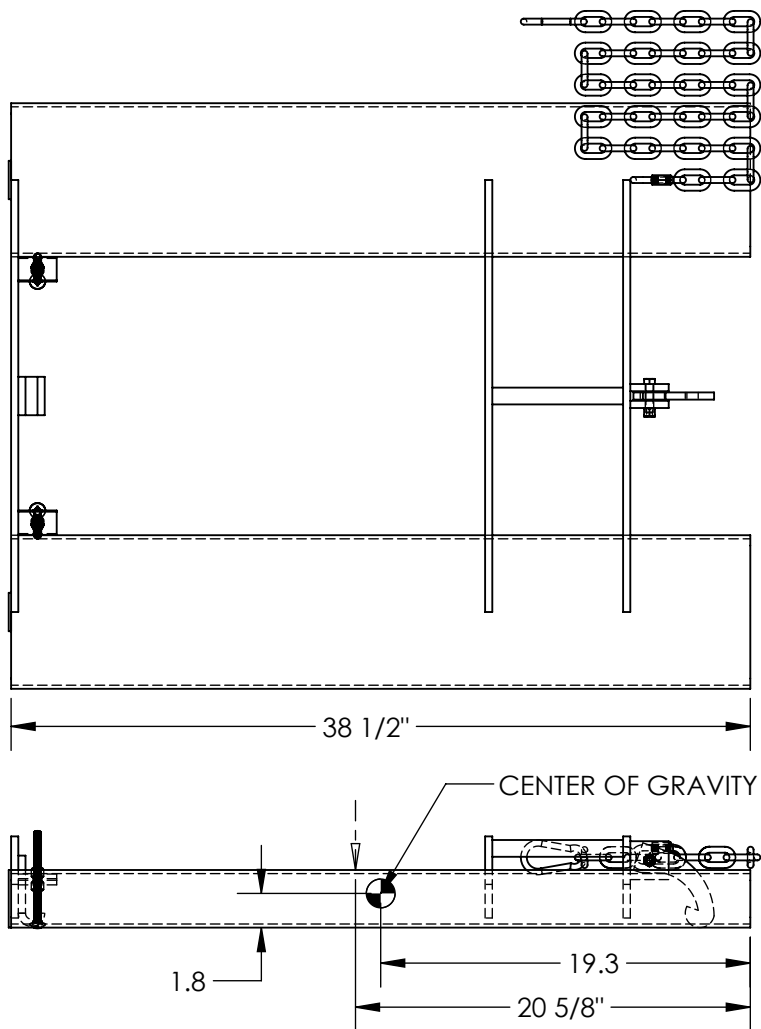


# HORIZONTAL DRUM CARRIER, HORIZ-70

APPROX WEIGHT: 107.61 lbs.  
 DOES NOT INCLUDE WEIGHT OF POWER OR PACKAGING!!!

\*\*\* ANY ADDITIONS, DELETIONS, OR OMISSIONS MUST BE CORRECTED ON THIS DRAWING AS THIS DRAWING WILL BE CONSIDERED ALL INCLUSIVE \*\*\*

ALL GRAPHICS PROVIDED ARE FOR REFERENCE ONLY. IF CERTAIN DIMENSIONS ARE CRITICAL PLEASE VERIFY THOSE DIMENSIONS WITH YOUR SALESPERSON



HORIZONTAL CENTER OF GRAVITY: 19.3"  
 VERTICAL CENTER OF GRAVITY: 1.8"  
 LOST LOAD: 107.61 LBS. (APPROX.)  
 LOAD CENTER: 20 5/8" (APPROX.)

NOTE: NEVER EXCEED LOAD CENTER RATING PER FORK TRUCK MANUFACTURER'S GUIDELINES. DO NOT USE THIS FORK TRUCK ATTACHMENT IF LOAD WILL EXCEED FORK TRUCK MANUFACTURER'S LOAD CENTER RATING.

DIMENSION TOLERANCE  $\pm 1/4"$

## STANDARD FEATURES

- MODEL NUMBER: HORIZ-70
- OVERALL WIDTH: 30 1/2"
- OVERALL LENGTH: 38 1/2"
- OVERALL HEIGHT: 4 3/4"
- MAX CAPACITY: 650 LBS.
- FORK POCKETS: 7 5/8" W x 2 5/8" H USABLE
- FORK POCKET CENTERS: 22 1/2"
- TO BE USED WITH A 55 GALLON STEEL DRUM

## SPECIAL FEATURES

NONE

I, THE UNDERSIGNED, AGREE THAT THE PRODUCT AS REPRESENTED SATISFIES DESIGN AND DIMENSION REQUIREMENTS. I ALSO ACKNOWLEDGE MY DUTY TO CONFIRM PRODUCT AND INSTALLATION COMPLIANCE WITH ALL APPLICABLE FEDERAL, STATE AND LOCAL REGULATIONS AND STANDARDS.

**ANY MODIFIED UNITS ARE NON-RETURNABLE**

[ ] As drawn      [ ] As marked

Signed: \_\_\_\_\_ Date: \_\_\_\_\_

Printed Name: \_\_\_\_\_

*LEAD TIME WILL START UPON RECEIPT OF SIGNED APPROVAL DRAWING*

FOR INTERNAL USE ONLY PROJECT SIGN OFF		DISTRIBUTOR'S NAME:		P.O.#
SALES		<b>VESTIL MANUFACTURING</b>		X
ENG.		DRAWN BY: BJW	DATE: 7/18/2016	W.O.#
FAB.		REFERENCE: X	SCALE: 1:10	X
POWER		QUOTED LEAD TIME: X	QUOTE #	FILE NAME:
			X	09-007-069

SALES	
ENG.	
FAB.	
POWER	