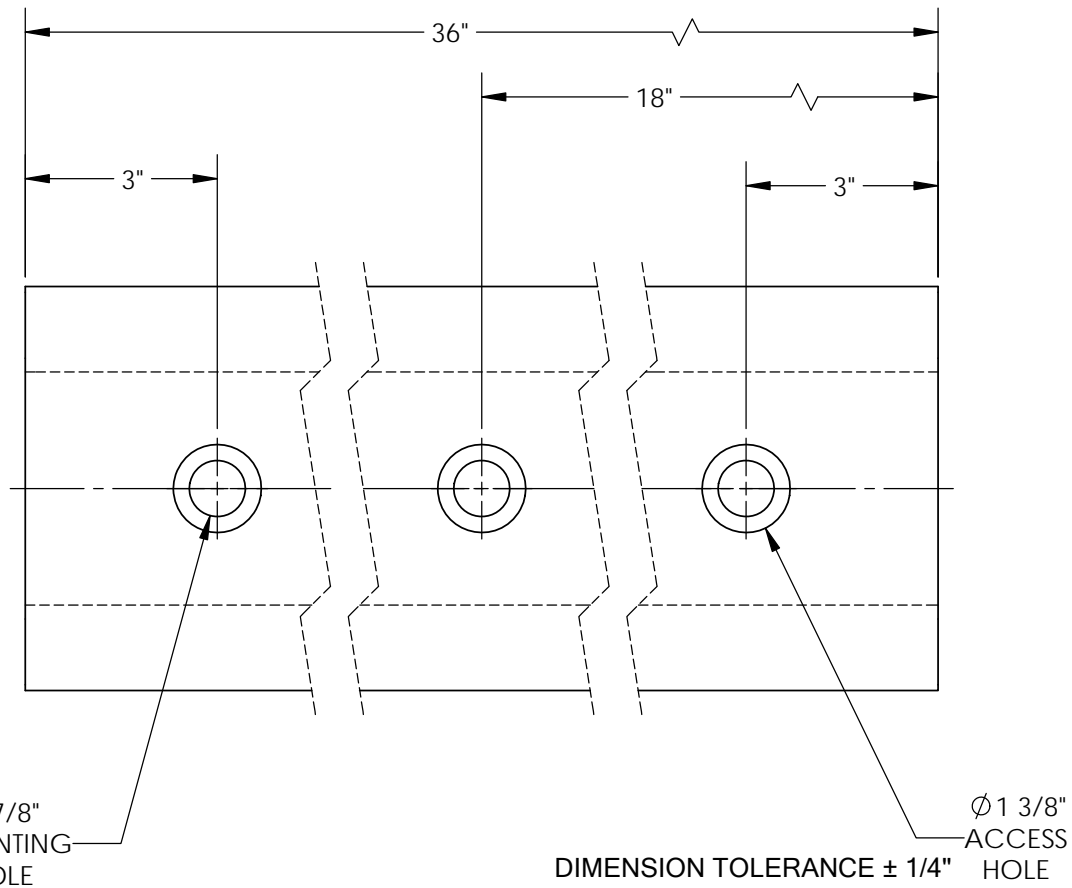
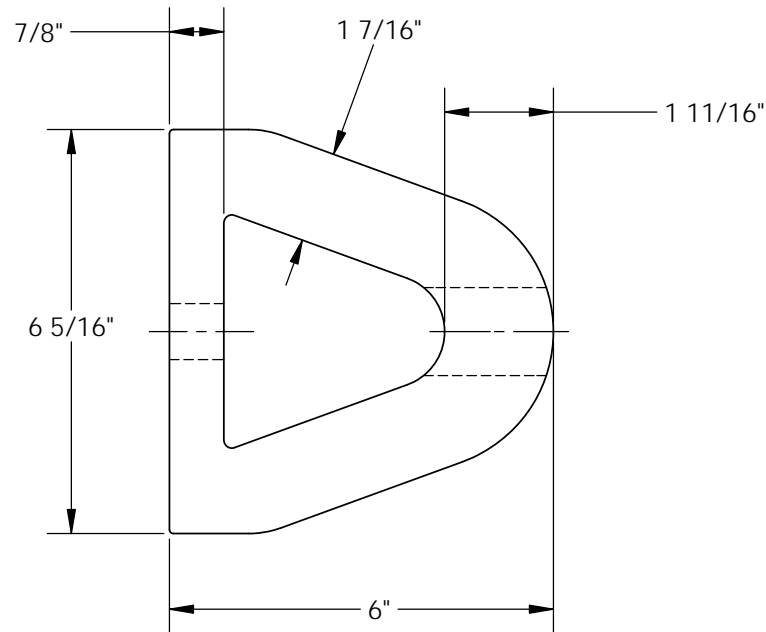


EXTRUDED RUBBER BUMPER - M-6-36

APPROX WEIGHT: 27.24 lbs.
 DOES NOT INCLUDE WEIGHT OF POWER OR PACKAGING!!!

*** ANY ADDITIONS, DELETIONS, OR OMISSIONS MUST BE CORRECTED ON THIS DRAWING AS THIS DRAWING WILL BE CONSIDERED ALL INCLUSIVE ***

ALL GRAPHICS PROVIDED ARE FOR REFERENCE ONLY. IF CERTAIN DIMENSIONS ARE CRITICAL PLEASE VERIFY THOSE DIMENSIONS WITH YOUR SALESPERSON



STANDARD FEATURES

- MODEL NUMBER IS M-6-36
- OVERALL WIDTH IS 6 5/16"
- OVERALL LENGTH IS 36"
- OVERALL HEIGHT IS 6"
- NUMBER OF MOUNTING HOLES 3
- MOUNTING HOLE SIZE $\phi 7/8"$
- ACCESS HOLE SIZE $\phi 1 3/8"$
- WEIGHT 31 LBS.
- (3)-REINFORCEMENT PLATES INCLUDED
- SIZE: 1 5/8" x 6"

SPECIAL FEATURES

NONE

APPROVAL

I, THE UNDERSIGNED, AGREE THAT THE PRODUCT AS REPRESENTED SATISFIES DESIGN AND DIMENSION REQUIREMENTS. I ALSO ACKNOWLEDGE MY DUTY TO CONFIRM PRODUCT AND INSTALLATION COMPLIANCE WITH ALL APPLICABLE FEDERAL, STATE AND LOCAL REGULATIONS AND STANDARDS.

ALL SPECIAL UNITS ARE NON-RETURNABLE

[] As drawn [] As marked

Signed: _____ Date: _____

LEAD TIME WILL START UPON RECEIPT OF SIGNED APPROVAL DRAWING

FOR INTERNAL USE ONLY PROJECT SIGN OFF	
SALES	
ENG.	
FAB.	
POWER	

DISTRIBUTOR'S NAME:		P.O.#
VESTIL MANUFACTURING		X
DRAWN BY:	DATE:	W.O.#
RPS	08/28/2012	X
REFERENCE:	SCALE:	SALES:
X	1:3	X
QUOTED LEAD TIME:	QUOTE #	FILE NAME:
X	X	29-007-073