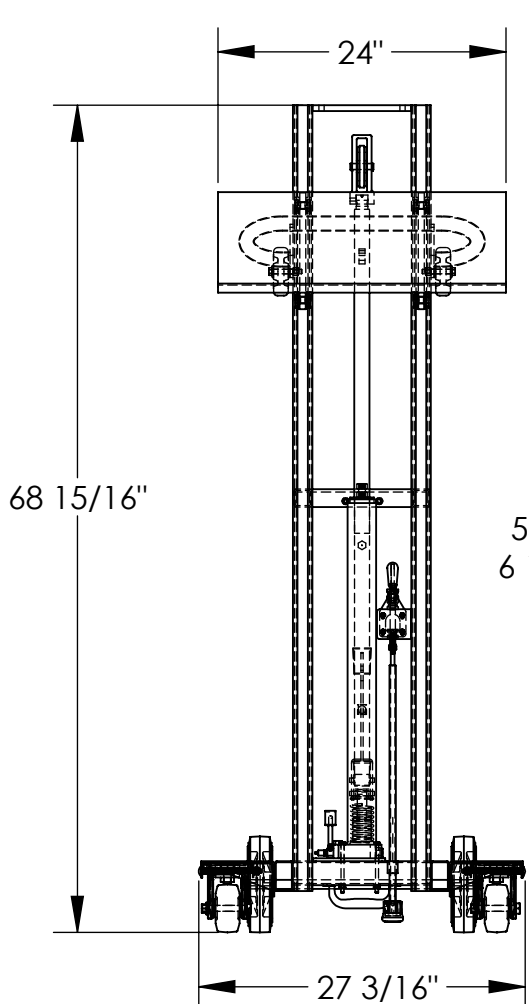


# LITE LOAD LIFT - LLH-242056-4SFL

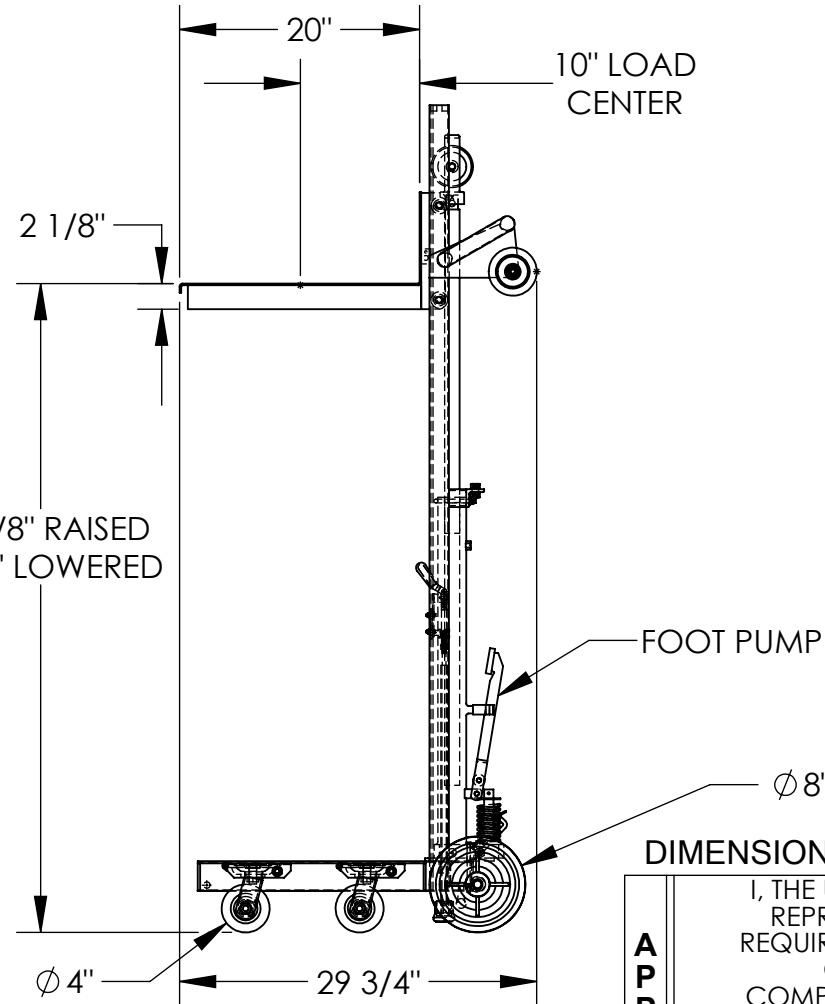
APPROX WEIGHT: 236.71 lbs.  
 DOES NOT INCLUDE WEIGHT OF POWER OR PACKAGING!!!

\*\*\* ANY ADDITIONS, DELETIONS, OR OMISSIONS MUST BE CORRECTED ON THIS DRAWING AS THIS DRAWING WILL BE CONSIDERED ALL INCLUSIVE \*\*\*  
 ALL GRAPHICS PROVIDED ARE FOR REFERENCE ONLY. IF CERTAIN DIMENSIONS ARE CRITICAL PLEASE VERIFY THOSE DIMENSIONS WITH YOUR SALESPERSON



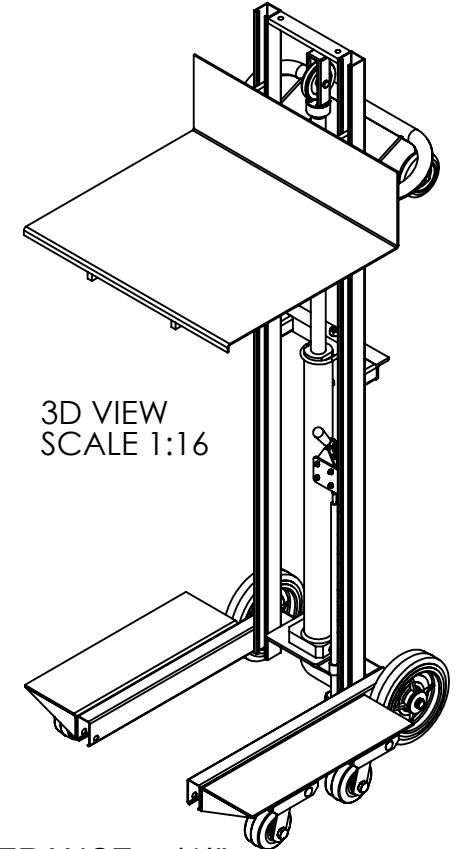
## STANDARD FEATURES

- MODEL NUMBER: LLH-242056-4SFL
- CAPACITY: 500 LBS.
- PLATFORM WIDTH: 24"
- PLATFORM LENGTH: 20"
- OVERALL WIDTH: 27 3/16"
- OVERALL LENGTH: 29 3/4"
- OVERALL HEIGHT: 68 15/16"
- RAISED HEIGHT: 54 1/8"
- LOWERED HEIGHT: 6 1/8"
- FOOT PUMP OPERATION
- STEEL CONSTRUCTION
- TOUGH BAKED IN POWDER COATED BLUE FINISH



## SPECIAL FEATURES

NONE



3D VIEW  
SCALE 1:16

DIMENSION TOLERANCE ± 1/4"

APPROVAL	I, THE UNDERSIGNED, AGREE THAT THE PRODUCT AS REPRESENTED SATISFIES DESIGN AND DIMENSION REQUIREMENTS. I ALSO ACKNOWLEDGE MY DUTY TO CONFIRM PRODUCT AND INSTALLATION COMPLIANCE WITH ALL APPLICABLE FEDERAL, STATE AND LOCAL REGULATIONS AND STANDARDS.	
	<b>ANY MODIFIED UNITS ARE NON-RETURNABLE</b>	
	[ ] As drawn	[ ] As marked
	Signed: _____	Date: _____
Printed Name: _____		LEAD TIME WILL START UPON RECEIPT OF SIGNED APPROVAL DRAWING

FOR INTERNAL USE ONLY PROJECT SIGN OFF	
SALES	
ENG.	
FAB.	
POWER	

DISTRIBUTOR'S NAME:		P.O.#
VESTIL MANUFACTURING		X
DRAWN BY: WHR	DATE: 01/17/12	W.O.#
REFERENCE: X	SCALE: 1:16	X
QUOTED LEAD TIME: X	QUOTE #	FILE NAME:
	X	21-007-006