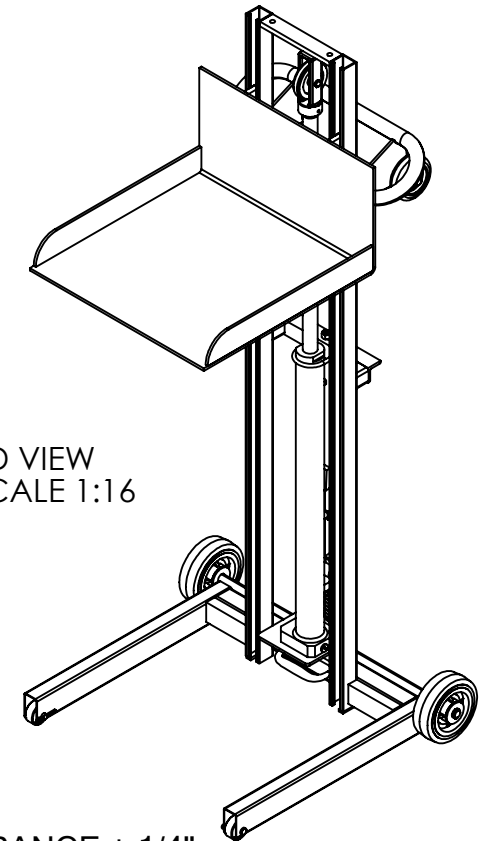
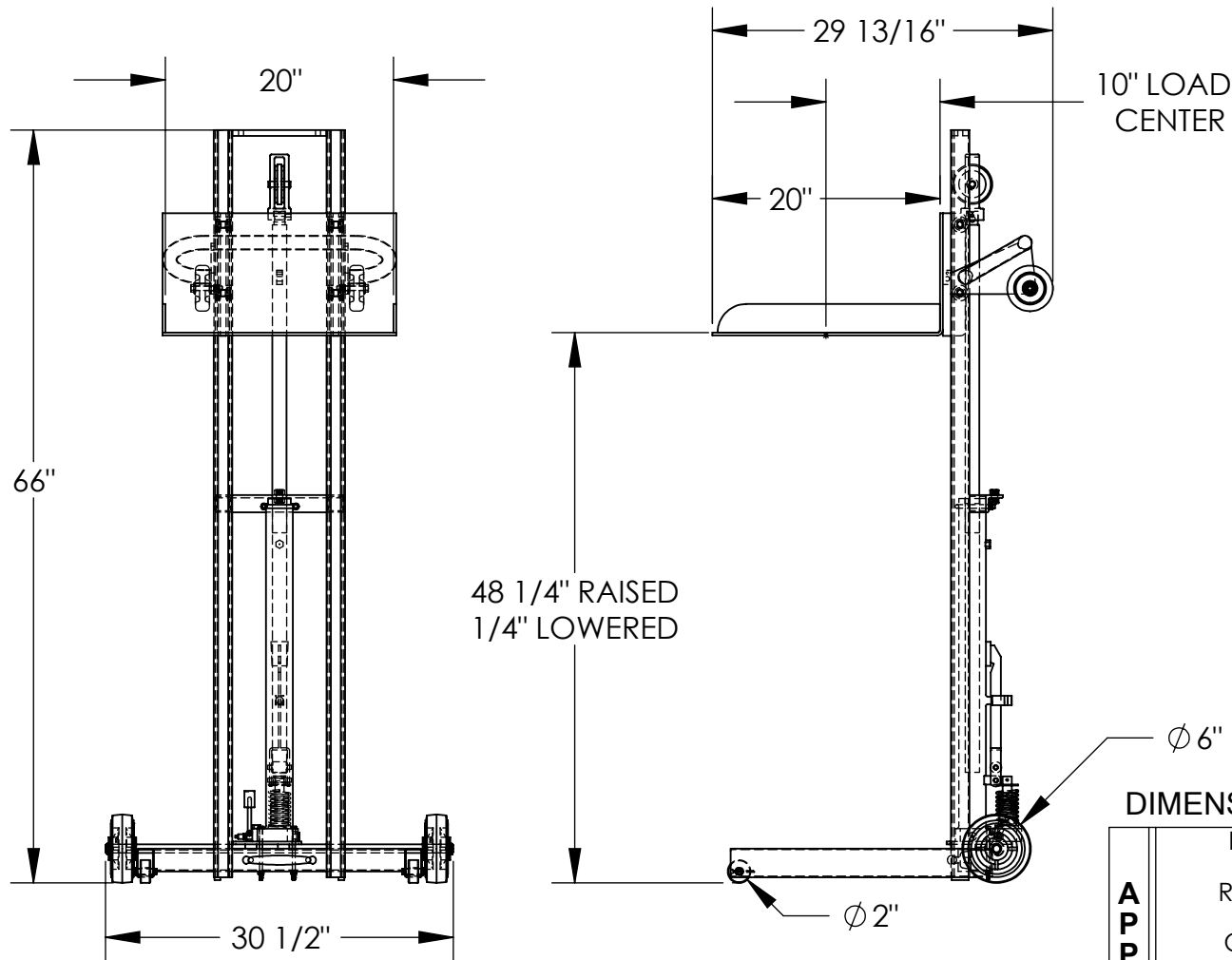


# LOW PROFILE LITE LOAD LIFT - LLPH-500-FW

APPROX WEIGHT: 201.50 lbs.  
DOES NOT INCLUDE WEIGHT OF POWER OR PACKAGING!!!

\*\*\* ANY ADDITIONS, DELETIONS, OR OMISSIONS MUST BE CORRECTED ON THIS DRAWING AS THIS DRAWING WILL BE CONSIDERED ALL INCLUSIVE \*\*\*

ALL GRAPHICS PROVIDED ARE FOR REFERENCE ONLY. IF CERTAIN DIMENSIONS ARE CRITICAL PLEASE VERIFY THOSE DIMENSIONS WITH YOUR SALESPERSON



3D VIEW  
SCALE 1:16

DIMENSION TOLERANCE  $\pm 1/4$ "

## STANDARD FEATURES

- MODEL NUMBER: LLPH-500-FW
- CAPACITY: 500 LBS.
- PLATFORM WIDTH: 20"
- PLATFORM LENGTH: 20"
- OVERALL WIDTH: 30 1/2"
- OVERALL LENGTH: 29 13/16"
- OVERALL HEIGHT: 66"
- RAISED HEIGHT: 48 1/4"
- LOWERED HEIGHT: 1/4"
- FOOT PUMP OPERATION
- STEEL CONSTRUCTION
- TOUGH BAKED IN POWDER COATED BLUE FINISH

## SPECIAL FEATURES

NONE

|   |  |
|---|--|
| FOR INTERNAL USE ONLY<br>PROJECT SIGN OFF |  |
| SALES                                     |  |
| ENG.                                      |  |
| FAB.                                      |  |
| POWER                                     |  |

|  |  |  |
|--|--|--|
| <b>APPROVAL</b>  | I, THE UNDERSIGNED, AGREE THAT THE PRODUCT AS REPRESENTED SATISFIES DESIGN AND DIMENSION REQUIREMENTS. I ALSO ACKNOWLEDGE MY DUTY TO CONFIRM PRODUCT AND INSTALLATION COMPLIANCE WITH ALL APPLICABLE FEDERAL, STATE AND LOCAL REGULATIONS AND STANDARDS. |  |
|  | <b>ANY MODIFIED UNITS ARE NON-RETURNABLE</b>   |  |
|  | [ ] As drawn [ ] As marked   |  |
|  | Signed: _____ Date: _____  |  |
| Printed Name: _____  |  |  |
| LEAD TIME WILL START UPON RECEIPT OF SIGNED APPROVAL DRAWING |  |  |

|                      |             |            |
|----------------------|-------------|------------|
| DISTRIBUTOR'S NAME:  |             | P.O.#      |
| VESTIL MANUFACTURING |             | X          |
| DRAWN BY: WHR        |             | W.O.#      |
| DATE: 01/18/12       |             | X          |
| REFERENCE: X         | SCALE: 1:16 | SALES: X   |
| QUOTED LEAD TIME: X  | QUOTE #     | FILE NAME: |
|                      | X           | 42-007-013 |