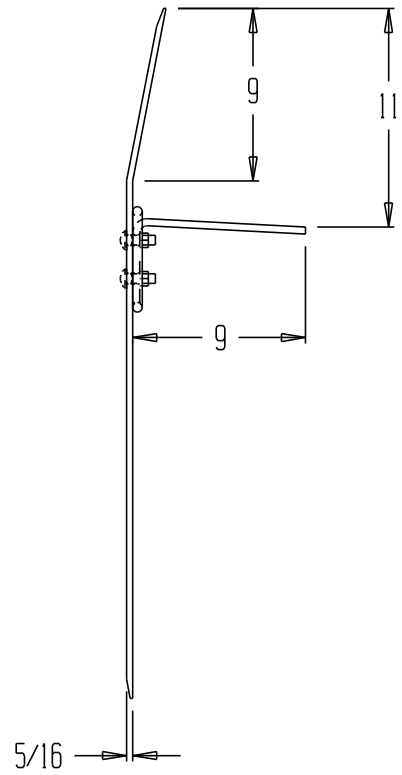
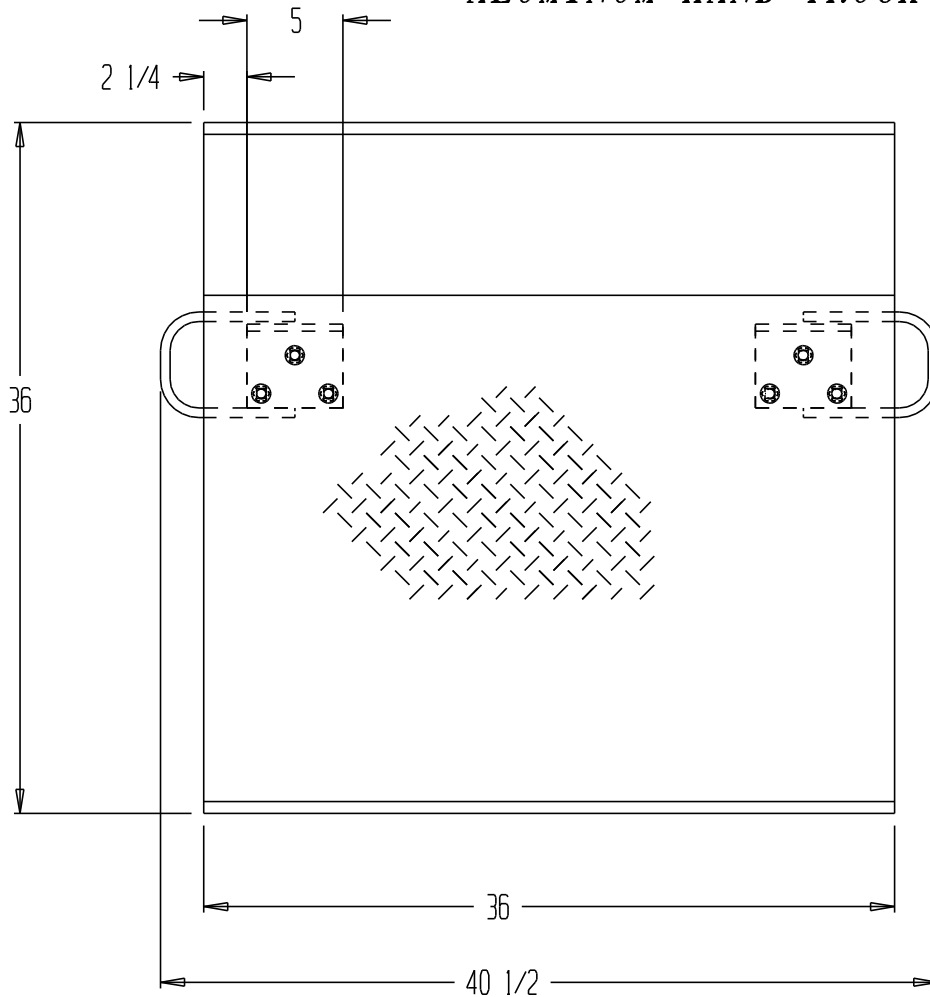


ALUMINUM HAND TRUCK DOCKPLATE, AH-3636



PRODUCTION WILL START UPON
RECEIPT OF SIGNED APPROVAL
DRAWING

STANDARD FEATURES

- MODEL NUMBER: AH-3636
- CAPACITY: 700 LBS.
- USABLE WIDTH: 36"
- OVERALL WIDTH: 40 1/2"
- OVERALL LENGTH: 36"
- PLATE THICKNESS: 5/16"
- HEIGHT DIFFERENTIAL: 5"

SPECIAL FEATURES:

NONE

APPROVAL

I, the undersigned, hereby approve this print
 As drawn As marked
 This includes my approval of design & dimensions.
 Signed: _____
 Date: _____

DISTRIBUTOR'S NAME: T & S EQUIPMENT		P.O.#: _
DRAWN BY: S ROSE		DATE: 6-23-04
REFERENCE: -		SALES: _
-		DRWG./FILE NAME: 12-007-114

**SPECIAL UNITS ARE NON-RETURNABLE
*AVAILABLE AT ADDITIONAL COSTS

scale: 1:10