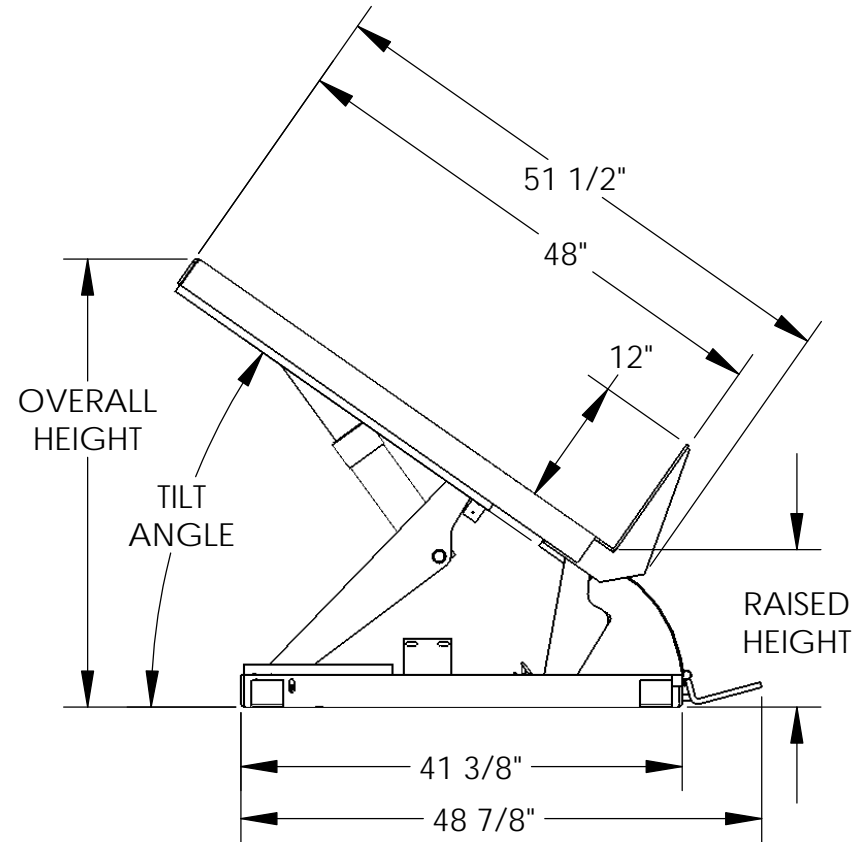
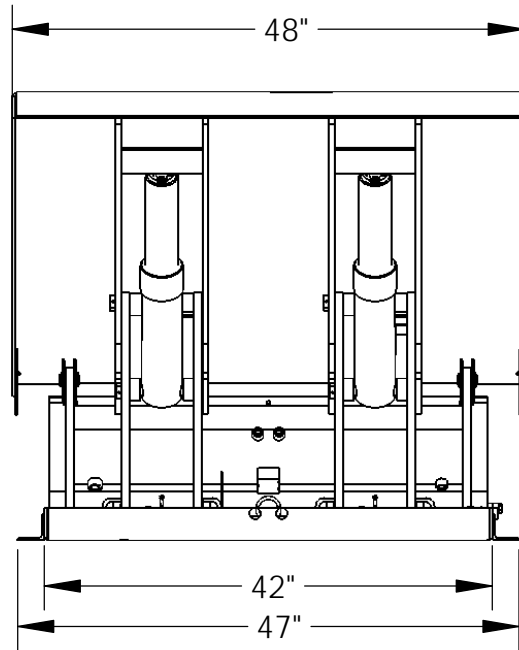
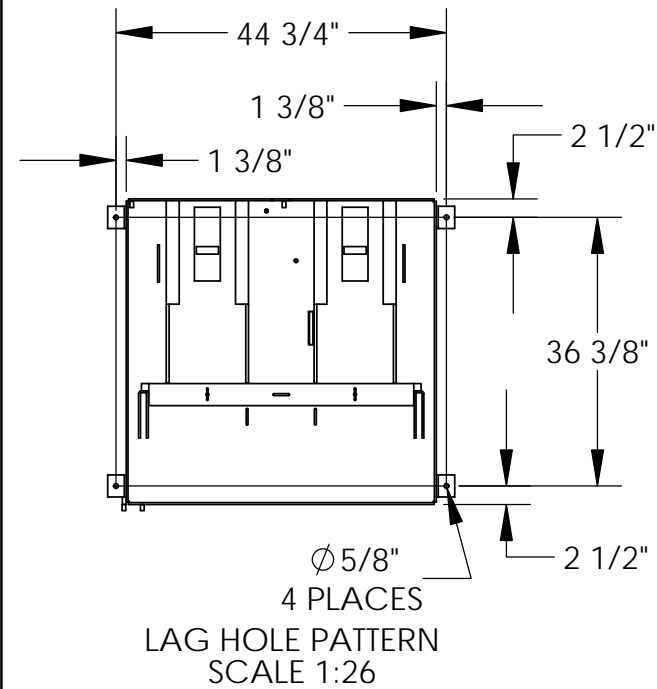


SINGLE SCISSOR LIFT & TILT TABLE - UNI-4848-6

APPROX WEIGHT: 924.26 lbs.
DOES NOT INCLUDE WEIGHT OF POWER OR PACKAGING!!!

*** ANY ADDITIONS, DELETIONS, OR OMISSIONS MUST BE CORRECTED ON THIS DRAWING AS THIS DRAWING WILL BE CONSIDERED ALL INCLUSIVE ***

ALL GRAPHICS PROVIDED ARE FOR REFERENCE ONLY. IF CERTAIN DIMENSIONS ARE CRITICAL PLEASE VERIFY THOSE DIMENSIONS WITH YOUR SALESPERSON



ALL TOLERANCE +/- 1/4"

STANDARD FEATURES

MODEL NUMBER IS: UNI-4848-6
CAPACITY: 6,000 LBS. EVENLY DISTRIBUTED
SEQUENCE 1:
RAISED HEIGHT: 14 3/4", TILT ANGLE 35°
OVERALL HEIGHT: 42"
SEQUENCE 2:
RAISED HEIGHT 11 3/4", TILT ANGLE: 40°
OVERALL HEIGHT 42 1/4"
LEVEL HEIGHT: 8"
DECK SIZE: 48" W X 48" L WITH 12" LIP
INTEGRAL MAINTENANCE LOCK
ADJUSTABLE UPWARD TRAVEL LIMIT SWITCH
UNIT MUST BE LAGGED TO THE FLOOR

PLEASE CIRCLE SPECIFICATIONS:

POWER	<input checked="" type="checkbox"/> AC	* <input type="checkbox"/> DC	* <input type="checkbox"/> AIR/OIL
MOTOR VOLTAGE	115	208	230 <input checked="" type="checkbox"/> 460
DEDICATED CIRCUIT REQUIRED			
MOTOR PHASE	SINGLE	<input checked="" type="checkbox"/> THREE	
CONTROL	<input checked="" type="checkbox"/> HAND	* <input type="checkbox"/> FOOT	
~ ALL BATTERY CHARGERS ARE 115V AC ~			
* BATTERY CHRG.	<input type="checkbox"/> REMOTE	<input type="checkbox"/> ON-BOARD	
* CHRG. INDICATOR	<input checked="" type="checkbox"/> YES	<input type="checkbox"/> NO	

* AVAILABLE AT ADDITIONAL COST

FOR INTERNAL USE ONLY PROJECT SIGN OFF	
SALES	
ENG.	
FAB.	
POWER	

APPROVAL

I, THE UNDERSIGNED, AGREE THAT THE PRODUCT AS REPRESENTED SATISFIES DESIGN AND DIMENSION REQUIREMENTS. I ALSO ACKNOWLEDGE MY DUTY TO CONFIRM PRODUCT AND INSTALLATION COMPLIANCE WITH ALL APPLICABLE FEDERAL, STATE AND LOCAL REGULATIONS AND STANDARDS.

ALL SPECIAL UNITS ARE NON-RETURNABLE
[] As drawn [] As marked

Signed: _____ Date: _____

LEAD TIME WILL START UPON RECEIPT OF SIGNED APPROVAL DRAWING

SPECIAL FEATURES

NONE

DISTRIBUTOR'S NAME: VESTIL MANUFACTURING

DRAWN BY: A. FORD DATE: 8/10/07

REFERENCE: X SCALE: 1:18

QUOTED LEAD TIME: X QUOTE # X

P.O.# X
W.O.# X
SALES: X
FILE NAME: 03-007-019