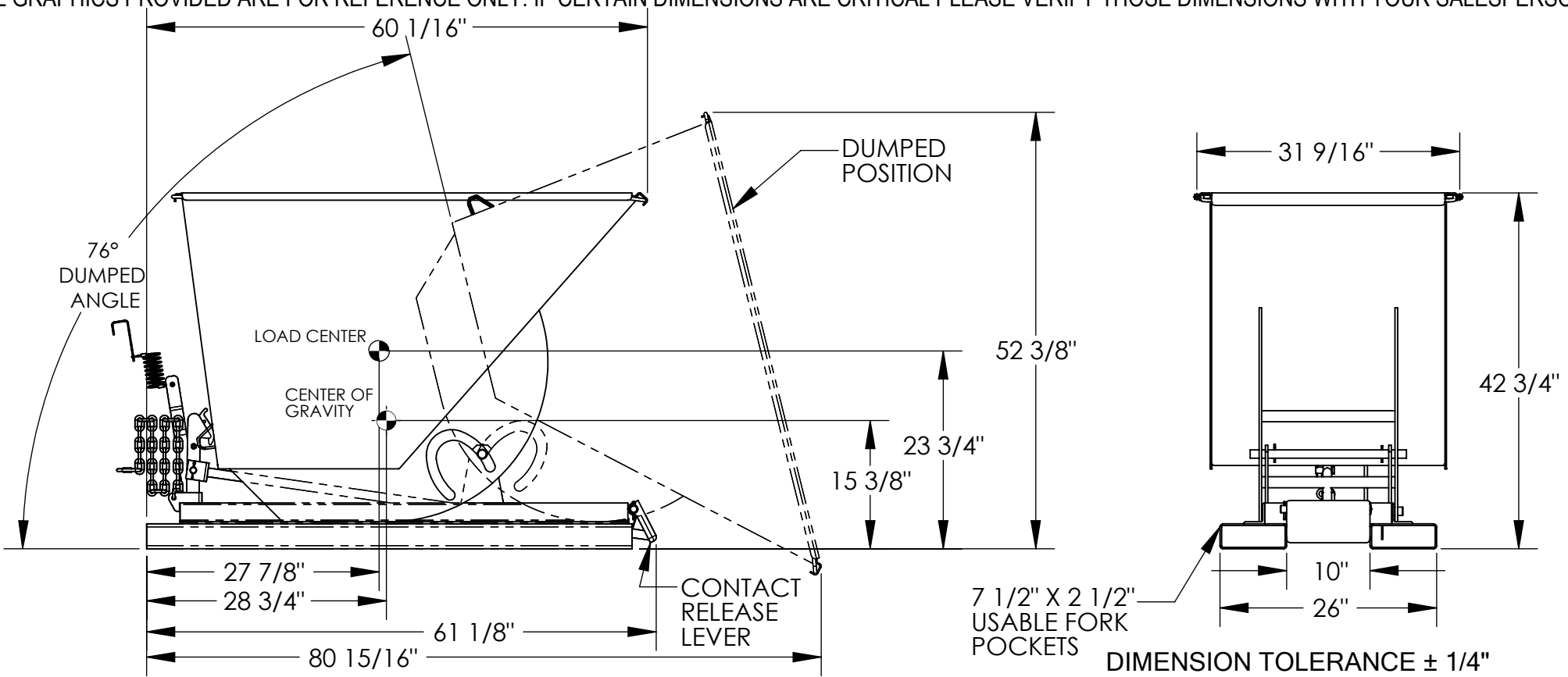


# SELF-DUMPING STEEL HOPPER W/ BUMPER RELEASE - D-75-HD

APPROX WEIGHT: 542.58 lbs.

DOES NOT INCLUDE WEIGHT OF POWER OR PACKAGING!!!

\*\*\* ANY ADDITIONS, DELETIONS, OR OMISSIONS MUST BE CORRECTED ON THIS DRAWING AS THIS DRAWING WILL BE CONSIDERED ALL INCLUSIVE \*\*\*  
 ALL GRAPHICS PROVIDED ARE FOR REFERENCE ONLY. IF CERTAIN DIMENSIONS ARE CRITICAL PLEASE VERIFY THOSE DIMENSIONS WITH YOUR SALESPERSON



## STANDARD FEATURES

MODEL NUMBER: D-75-HD  
 VOLUME: 3/4 CU. YDS.  
 CAPACITY: 6,000 LBS.  
 OVERALL WIDTH: 31 9/16"  
 OVERALL LENGTH: 61 1/8"  
 OVERALL HEIGHT: 42 3/4"  
 PULL CABLE IS AT LEAST: 48"  
 TOUGH BAKED IN POWDER  
 COATED BLUE FINISH

NEVER EXCEED LOAD CENTER RATING PER FORK  
 TRUCK MANUFACTURER'S GUIDELINES.  
 DO NOT USE THIS FORK TRUCK ATTACHMENT IF  
 LOAD WILL EXCEED FORK TRUCK  
 MANUFACTURER'S LOAD CENTER RATING.

## SPECIAL FEATURES

NONE

\*\*\*ADDITION OF CASTERS MAY CHANGE WEIGHT  
 CAPACITY BASED ON CASTER RATING\*\*\*

APPROVAL

I, THE UNDERSIGNED, AGREE THAT THE PRODUCT AS REPRESENTED SATISFIES DESIGN AND DIMENSION REQUIREMENTS. I ALSO ACKNOWLEDGE MY DUTY TO CONFIRM PRODUCT AND INSTALLATION COMPLIANCE WITH ALL APPLICABLE FEDERAL, STATE AND LOCAL REGULATIONS AND STANDARDS.

**ANY MODIFIED UNITS ARE NON-RETURNABLE**

As drawn       As marked

Signed: \_\_\_\_\_ Date: \_\_\_\_\_

Printed Name: \_\_\_\_\_

LEAD TIME WILL START UPON RECEIPT OF SIGNED APPROVAL DRAWING

FOR INTERNAL USE ONLY PROJECT SIGN OFF	
SALES	
ENG.	
FAB.	
POWER	

DISTRIBUTOR'S NAME:		P.O.#
VESTIL MANUFACTURING		X
DRAWN BY: W. STALEY		W.O.#
DATE: 5/7/08		X
REFERENCE: X	SCALE: 1:18	SALES: X
QUOTED LEAD TIME: X	QUOTE #	FILE NAME:
	X	37-007-011