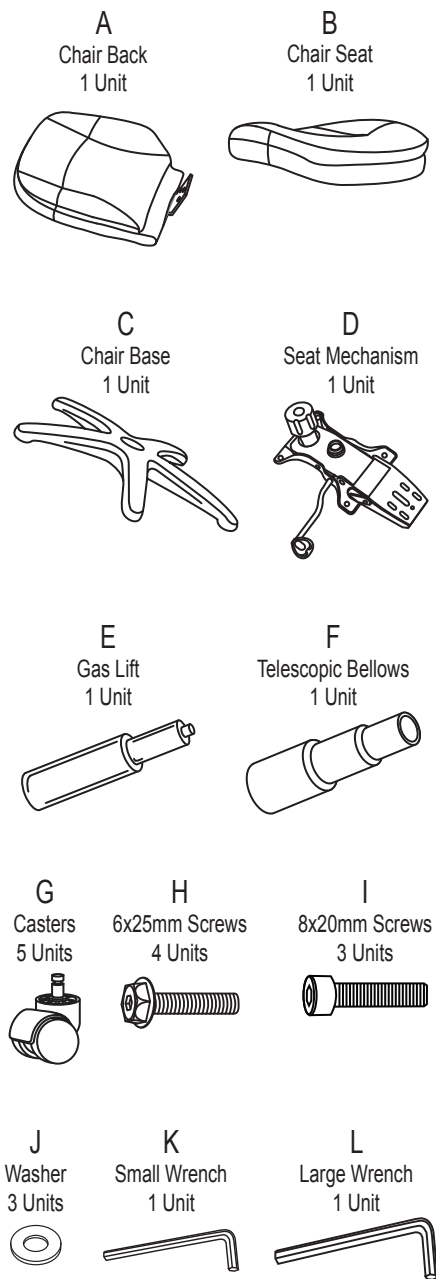


# Models: 521-LX / 521-LX-AA Stimulus Series Leatherette Mid-Back Chair

## Parts Listing



## Assembly Instructions



*Please read all instructions before assembly.*

**Tools Needed:** Allen Wrench included.

**Step 1:** Insert Casters (G) into Chair Base (C). Insert Gas Lift (E) into Chair Base (C) with large side facing down and cover with Telescopic Bellows (F).

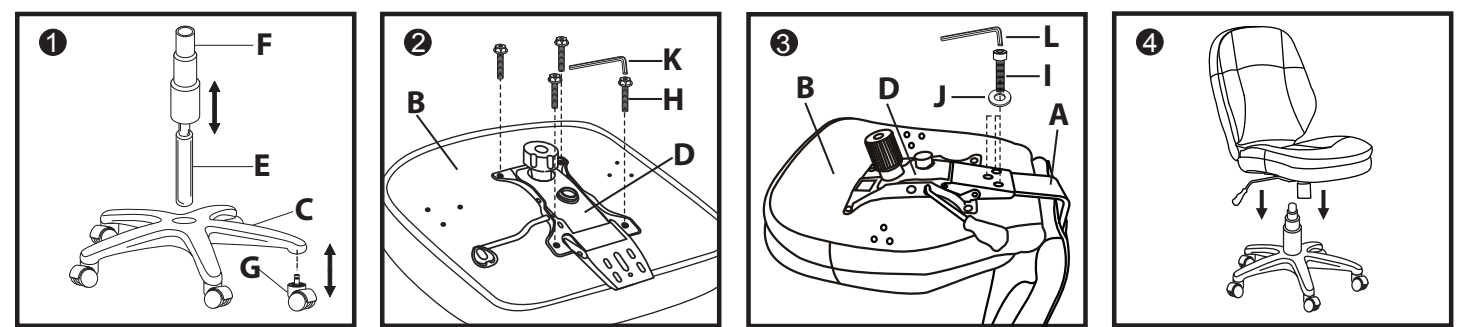
**Step 2:** Place Chair Seat (B) upside-down on a level, non-abrasive surface and align pre-drilled holes in Seat Mechanism (D) with holes in Chair Seat (B). The thinner portion of seat should face the back. Insert four Mechanism Screws (H) through the holes in the Seat Mechanism (D) and into the Chair Seat (B). Tighten with Small Allen Wrench (K).



**If you are assembling a model with optional Adjustable Arms please proceed to subsequent page for armrest assembly instructions.**

**Step 3:** Connect Chair Back (A) to Chair Seat (B) by inserting the bar on bottom of the Chair Back (A) into the back of the Seat Mechanism (D). Then attach by inserting 8x20mm Screws (I) through Washers (J) and secure using the large Allen Wrench (L).

**Step 4:** Carefully place chair body onto the Gas Lift (E) by aligning the hole in the Seat Mechanism (D) with the top of the Gas Lift (E). Carefully sit on chair to make sure the Gas Lift (E) is properly inserted into the Base (C). Operate the Gas Lift Lever on the Seat Mechanism (D) to be sure unit is working.



**Assembly Notes:**  
During assembly, hand tighten screws only. When all screws are in place, you may then tighten all screws completely.

**CAUTION:**  
1. Do not use this chair as a step ladder.  
2. Check for loose screws and tighten them every 6 months.



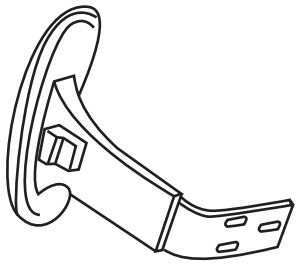
161 Tradition Trail, Holly Springs, NC, 27540  
800-520-7471 (voice) 919-362-4765 (fax)  
919-303-6389 (voice) www.ofminc.com  
support@ofminc.com

# Model AA-1 Adjustable Arms

## Parts Listing

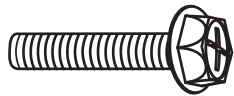
A

AA-1 Adjustable Armrest  
2 Units



B

M6x25mm Hex Screw  
6 Units



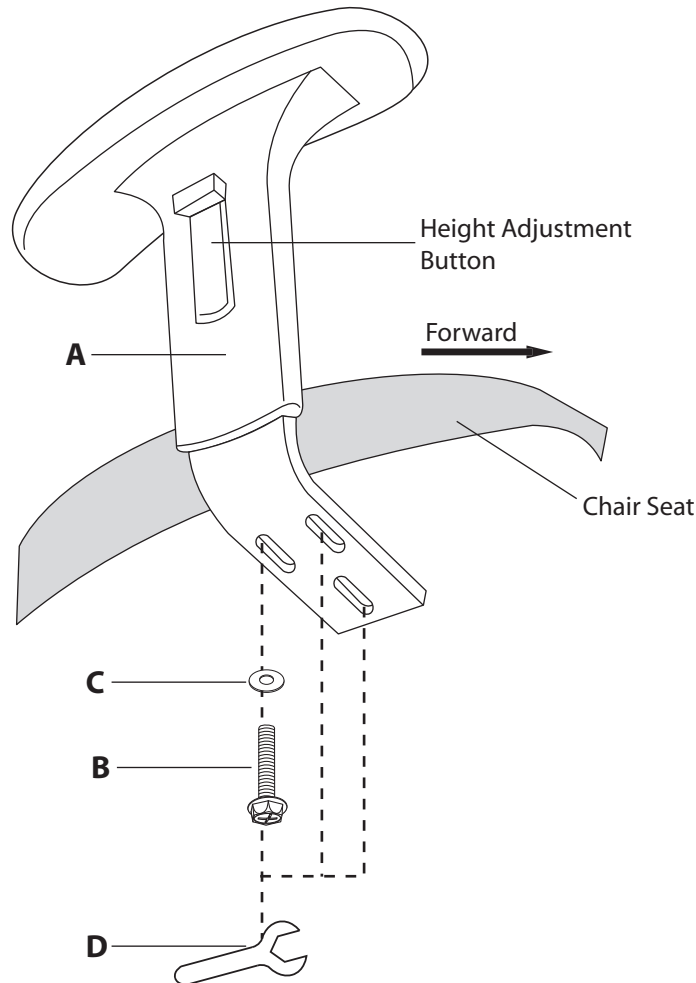
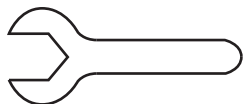
C

Washer  
6 Units



D

Wrench  
1 Unit



## Assembly Instructions



**Tools Needed: Phillips Head Screwdriver**  
*Please read all instructions before assembly.*

- Step 1:** Turn Chair Seat upside down and place on a clean, non-abrasive surface.
- Step 2:** Align the pre-drilled holes in the Adjustable Armrest (A) with the holes in the bottom of the Chair Seat, making sure that the arms have the height adjustment buttons facing out.
- Step 3:** Place three Washers (C) onto three M6x25mm Hex Screws (B) and insert through the Armrest (C) holes and into the Chair Seat.
- Step 4:** Tighten Screws (B) using supplied Wrench (D) or screwdriver. It is recommended that to assure screws are secure, a screwdriver is used to tighten.

### To Adjust Arms:

Pull up on the Height Adjustment Button and slide to desired height.

### Assembly Notes:

During assembly, hand tighten screws. Only when all screws are in place, you may then tighten all screws completely.

### CAUTION:

1. Do not use this chair as a step ladder.
2. Check for loose screws and tighten them every 6 months.

**ofm**  
Furniture For The Real Office™

161 Tradition Trail Holly Springs, NC, 27540  
800-520-7471 (voice) 919-362-4765 (fax)  
919-303-6389 (voice) www.ofminc.com  
support@ofminc.com