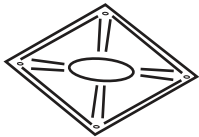


### Parts Listing

**A**  
Center Post  
1 Unit



**B**  
Mounting Plate  
1 Unit



**C**  
8m x 30mm Bolts  
4 Units



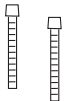
**D**  
Leg Supports  
4 Units



**E**  
Center Post Cap  
1 Unit



**F**  
8m x 85mm Bolts  
4 Units



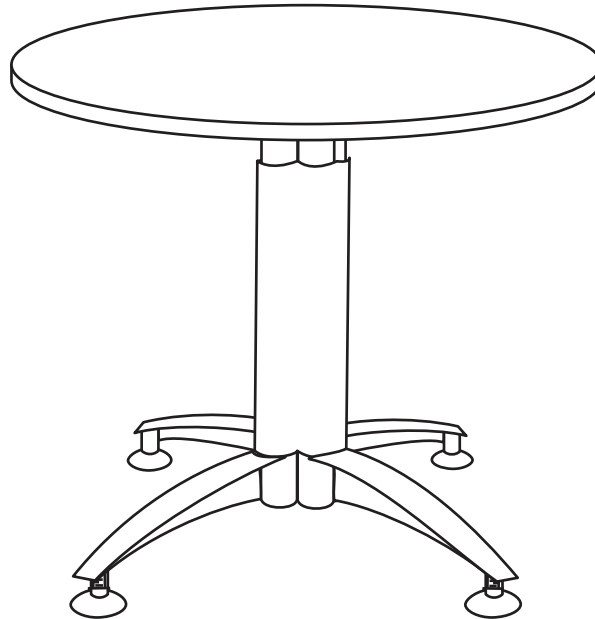
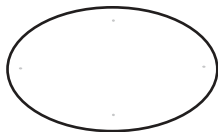
**G**  
Leveling Glides  
4 Units



**I**  
6m x 19mm Bolts  
4 Units



**H**  
Table Top  
1 Unit



### Assembly Instructions



Please read all instructions before assembly.

**Step 1:** Attach plate (B) to center post (A) with 4 bolts (C). Set center post (A) with mounting plate (B) on floor.

**Step 2:** Insert 4 leg supports (D) into center post (A) rims. Cover with center post cap (E), insert and tighten 4 bolts (F).

**Step 3:** Screw on leveling glides (G) to leg supports (D).

**Step 4:** Place table top (H) on flat non-scratching surface. Invert base unit to align with matching holes. Insert and tighten 4 bolts (I).

**Step 5:** Return to upright position and adjust leveling glides (G) if needed.

