

Lakeland

Model # 5867

Lakeland 20in Square Planter



DESCRIPTION

The Mayne Lakeland planter has the look of wood without the upkeep. Molded from high-grade polyethylene, this planter offers a classy choice for your outdoor décor needs. Long-lasting beauty, durability and quality. Built-in water reservoir encourages healthy plant growth by allowing plants to practically water themselves.

- Creates a beautiful coastal appeal
- 100% high-grade polyethylene planter with UV inhibitors
- Weather resistant, low maintenance material
- Double wall design featuring a sub-irrigation water system
- Warranty: 15-Yr Residential Use / 5-Yr Commercial Use

PRODUCT DIMENSIONS

Outside Dimensions: 20in L x 20in W x 20in H (50.8cm x 50.8cm x 50.8cm)

Inside Dimensions: 16.1in L x 16.1in W x 13.5in D (40.9cm x 40.9cm x 34.3cm)

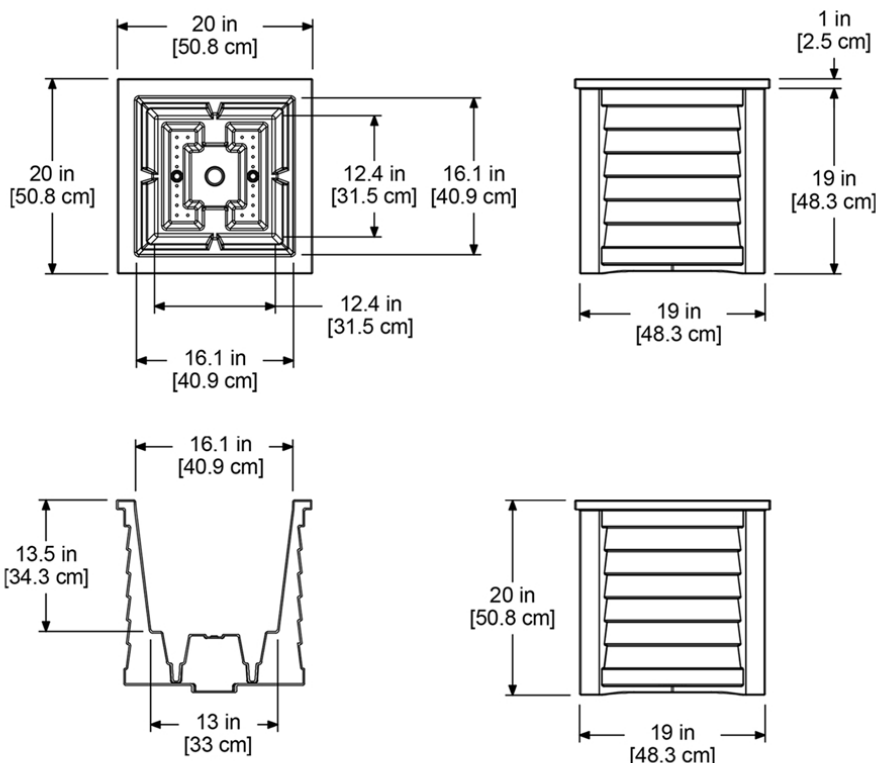
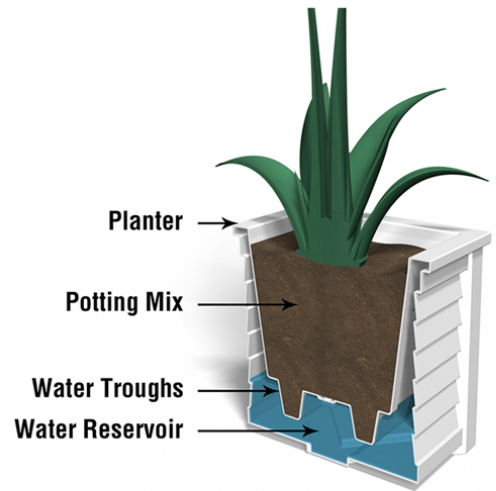
Soil Capacity: 11.5 Gallons (43.5 Liters)

Water Reservoir Capacity: 6.5 Gallons (24.6 Liters)

Wall Thickness: 0.12in (3mm)

Part Weight: 13.2lbs (6.0kg)

Material: Polyethylene



MAYNE[®]
Outdoor Products of Distinction

7024 Kilbourne Rd - Unit A London, ON N6P 1K6

Tel: 866-363-8834 | www.gomayne.com

customerservice@gomayne.com