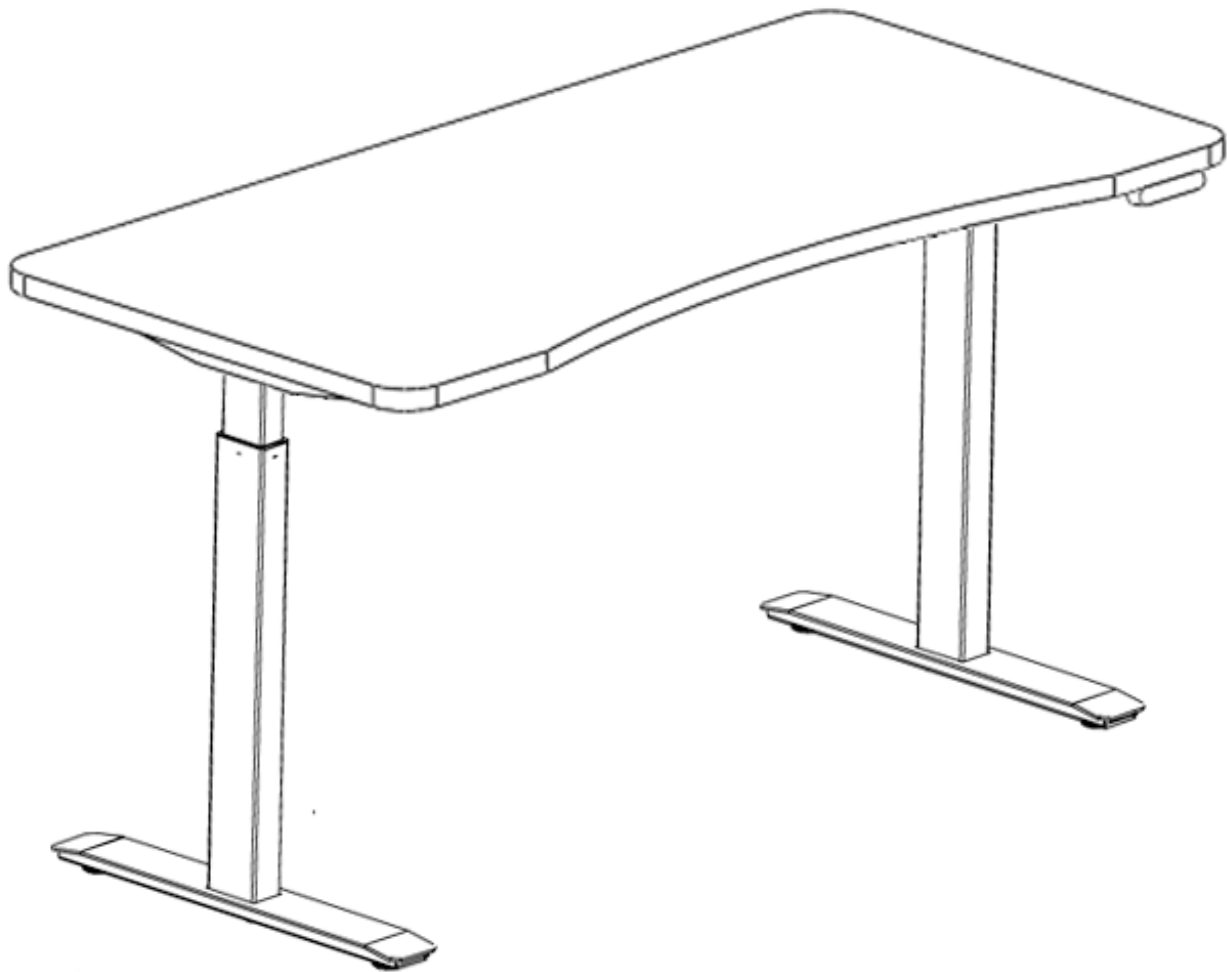




## AIRLIFT® S2 Electric Height-Adjustable Standing Desk



Models: OFF65802, 14

Base + Top Kits: OFFK65816, 17, 20, 21, 24, 25

Thank you for choosing Seville Classics! We hope that you enjoy your new sit-to-stand desk. Please read through this user guide for parts list, instructions, frequently asked questions and contact information.

# Welcome!

We at Seville Classics® are thrilled that you've chosen to go AIRLIFT®! Our desks are some of the easiest to use, most versatile and sophisticated electronic desks on the market. With this, you can stay active throughout the day without sacrificing productivity.

Choosing a height-adjustable desk is not just a convenient upgrade—it's a healthy one! Too much sedentary behavior can present a real health risk, even for people who are already healthy. Simply getting up throughout the day and moving is a great way to fight the consequences of too much sitting. AIRLIFT® is here to help.

Please read through this manual for more information regarding your AIRLIFT® S2 Electric Height-Adjustable Standing Desk.

Thank you for choosing Seville Classics®! We hope you will enjoy this desk for many years to come.

# Table of Contents

SAFETY INSTRUCTIONS.....	5
COMPONENT DIAGRAM.....	6
PARTS LIST.....	7
TOOLS & HARDWARE LIST.....	7
ASSEMBLY INSTRUCTIONS.....	8
Prepare Workspace.....	8
Unpack & Unfold.....	9
Install Support Brackets.....	10
Unlock Beam.....	11
Align Frame.....	12
Mounting Seville Classics® Ergo Table Top.....	13
Mounting Non-Seville Classics® Top.....	14
Installing Feet.....	15
Cable Management.....	16
Connect Cables.....	17
Turn Desk Over.....	18
INITIALIZATION & USE INSTRUCTIONS.....	19
CABLE MANAGEMENT.....	20
TROUBLESHOOTING.....	21
WARRANTY INFORMATION.....	22
MORE FROM SEVILLE CLASSICS® .....	23
SPECIFICATIONS.....	24
CUSTOMER SERVICE INFORMATION.....	24



# Safety Instructions



FAILURE TO COMPLY WITH OR OBSERVE ALL ASSEMBLY, SAFETY AND OPERATING INSTRUCTIONS AND WARNINGS REGARDING THE USE OF THIS PRODUCT MAY RESULT IN SERIOUS BODILY INJURY



- Read and understand this manual before attempting to install or operate.
- Assure that everyone who uses this product is informed of the contents of this manual. This is the responsibility of the Purchaser.
- Not intended for use by young children or for those persons who require supervision.
- Do not open any of the components – legs, control box, or controller. There is a risk of electric shock.
- Assemble desk on a flat and level surface.

## Use & Liability

Safe use of this product is possible only when the operating instructions are read completely and the instructions contained are strictly observed. Persons who do not have the necessary experience or knowledge of this product must not use the product. Persons with reduced physical or mental abilities should not use this product, unless they are under supervision or they have been thoroughly instructed in the use of the apparatus by a person who is responsible for the safety of these persons. Children should be closely supervised to ensure that they do not play with this product.

## Before You Begin

Layout all components and hardware. Visually examine and make sure components are free of damage. If there is visual damage to any component, it must not be installed.

Two people are needed to turn or move the desk and some of its components. When moving or turning the assembled desk, grab the legs, not the desk top.

Make sure to assemble on a soft and non-abrasive surface to avoid scratches.

Check all connections and cables. Make sure control box is connected to a power outlet.

If the control box makes unusual noises or emits an odor, switch power off immediately.

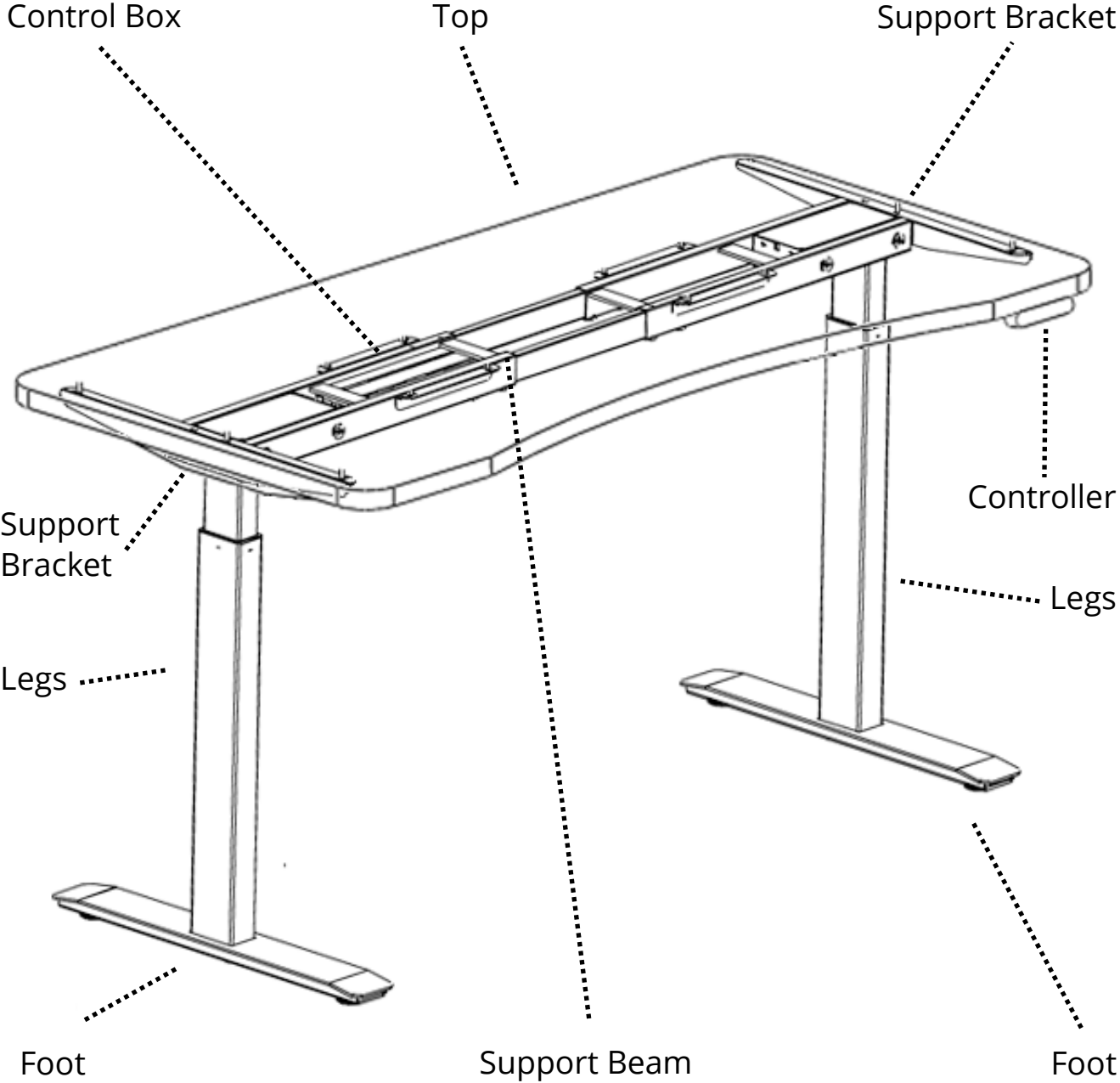


**The desk MUST be INITIALIZED before first use.**

**Read the INITIALIZATION chapter prior to operation.**

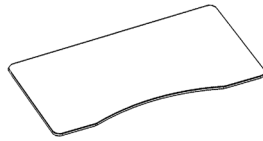


# Component Diagram

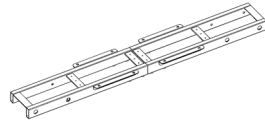


# Parts List

A. Top



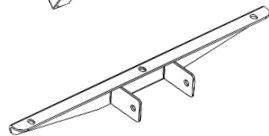
B. Support Beam (1)



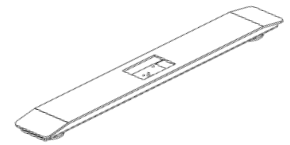
C. Legs (2)  
(pre-installed)



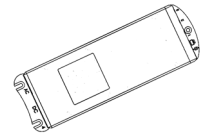
D. Support Bracket (2)



E. Foot (2)



F. Control Box (1)  
(pre-installed)



G. Controller (1)



# Tools & Hardware List

H. Allen wrench - 3mm



I. Allen wrench - 5mm



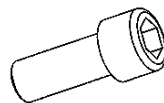
J. Allen wrench - 6mm



K. M8x25 Bolt (4)



L. M6x16 Bolt (14)



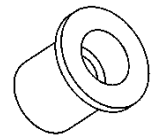
M. M6x6 Bolt (8)  
(pre-installed)



N. Screw (10)



O. Bolt Sleeve (4)



P. Washer (12)



Q. Fastener (6)



R. Zip Ties (8)



S. Screwdriver



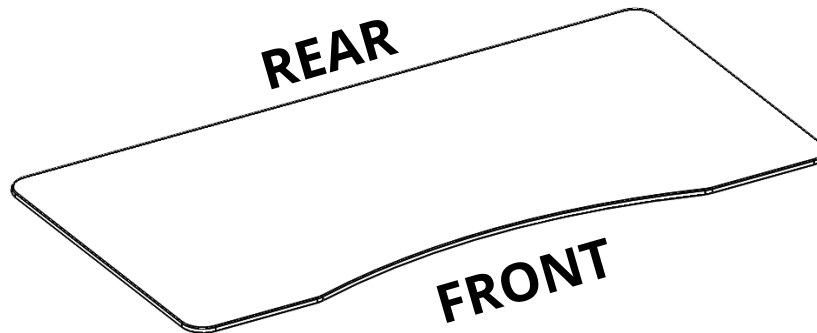
**Please make sure you have all the parts on this list.**

**Extra washers are included and some may remain unused after assembly.**

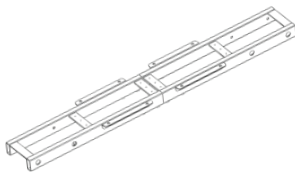
If you're missing parts, contact us for replacements at (800) 323-5565 or send an email to [Support@SevilleClassics.com](mailto:Support@SevilleClassics.com)

# Assembly Instructions: Prepare Workspace

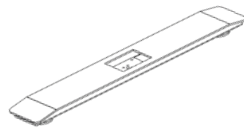
Lay down a blanket and place your Seville Classics® Ergo Table Top (or your own top) with the bottom side facing up on a soft, flat, even surface beneath the top to protect the surface.



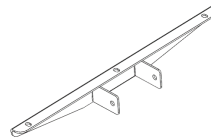
Layout all components and hardware. Examine each and make sure components are without damage.



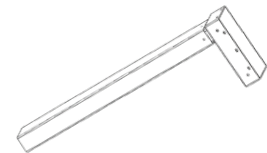
Support Beam



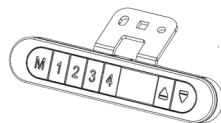
Feet (x2)



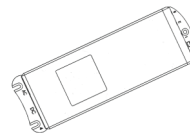
Support Bracket (x2)



Legs (x2) (pre-installed)



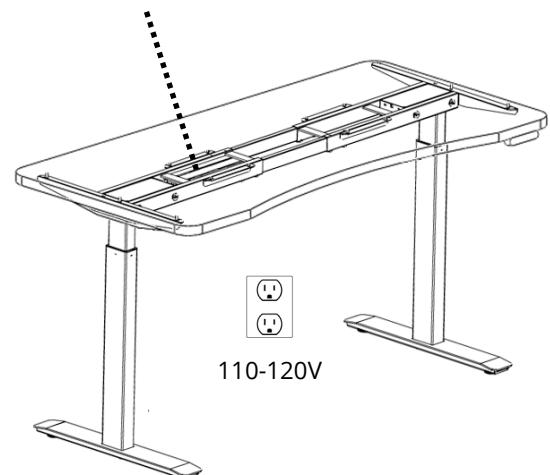
Controller



Control Box (pre-installed)

Examine the location where you'll be using the desk. Make sure there is a grounded outlet or power strip nearby.

Assemble frame with **CONTROL BOX (F)** on the side of the nearest outlet.

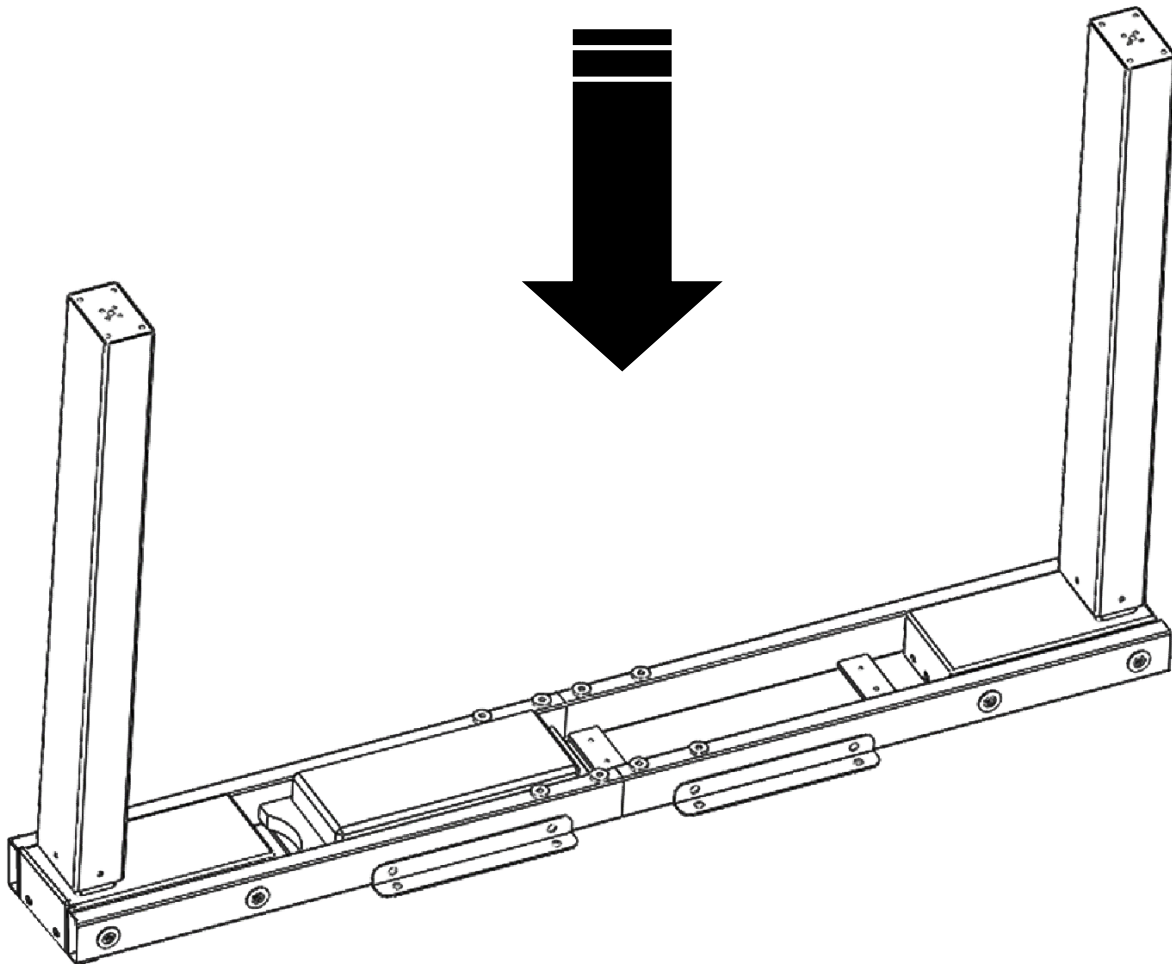
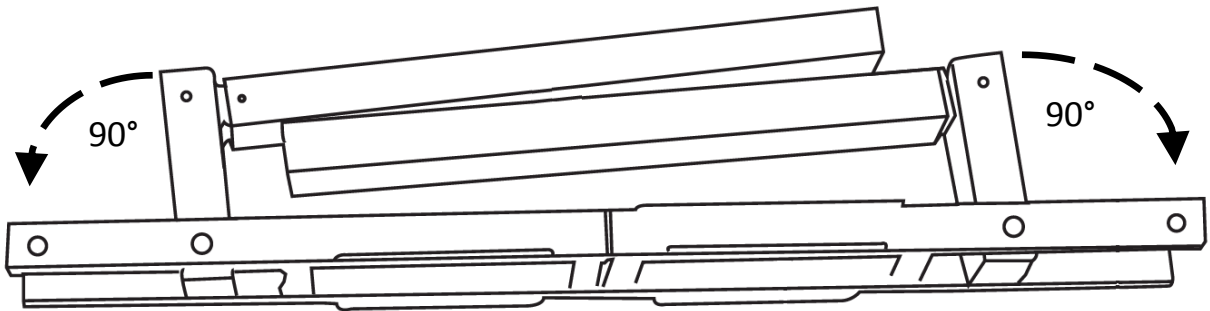




# Assembly Instructions: Unpack & Unfold

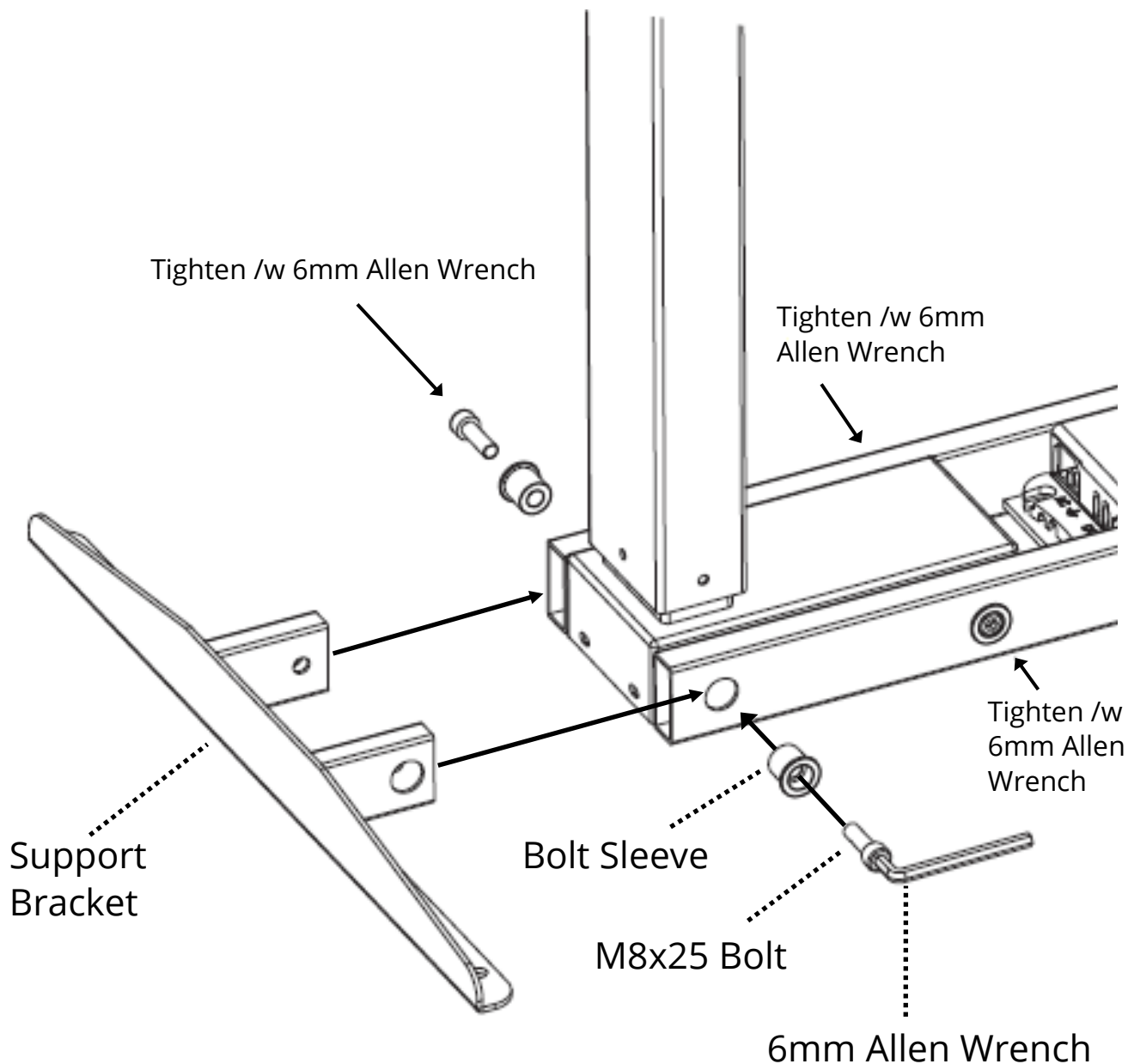
**STEP 1.** Remove **SUPPORT BEAM (B)** from box and set on **TOP (A)** with legs facing upward.

**STEP 2.** Unfold legs until the holes on the legs and beam align.



# Assembly Instructions: Install Support Brackets

**STEP 3.** Slide **SUPPORT BRACKET (D)** into the **SUPPORT BEAM (B)**.

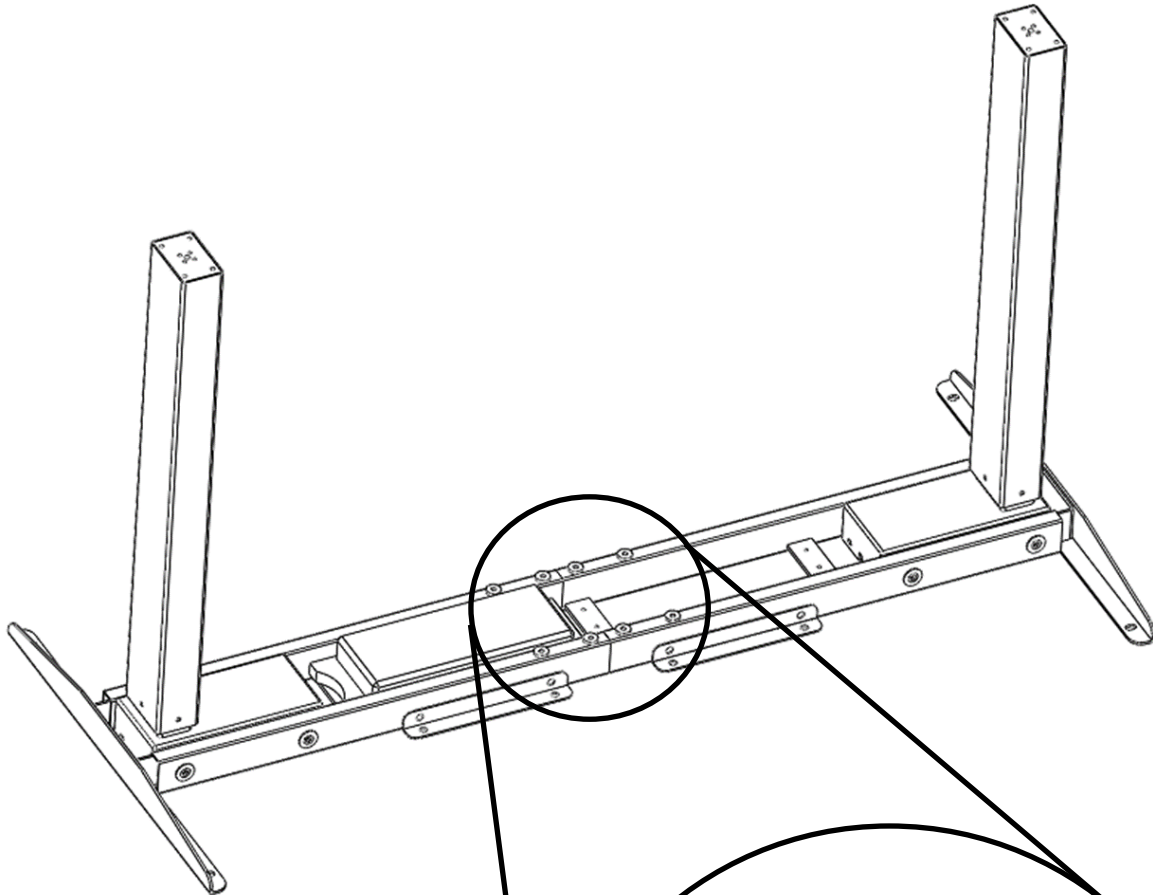


Insert **BOLT SLEEVES (O)** through holes on **SUPPORT BEAM (B)** and **LEG (C)**. Insert **M8x25 BOLTS (K)** into sleeves and tighten with **6mm ALLEN WRENCH (J)**.

Then, tighten inner 6mm bolts with a **6mm ALLEN WRENCH (J)**.

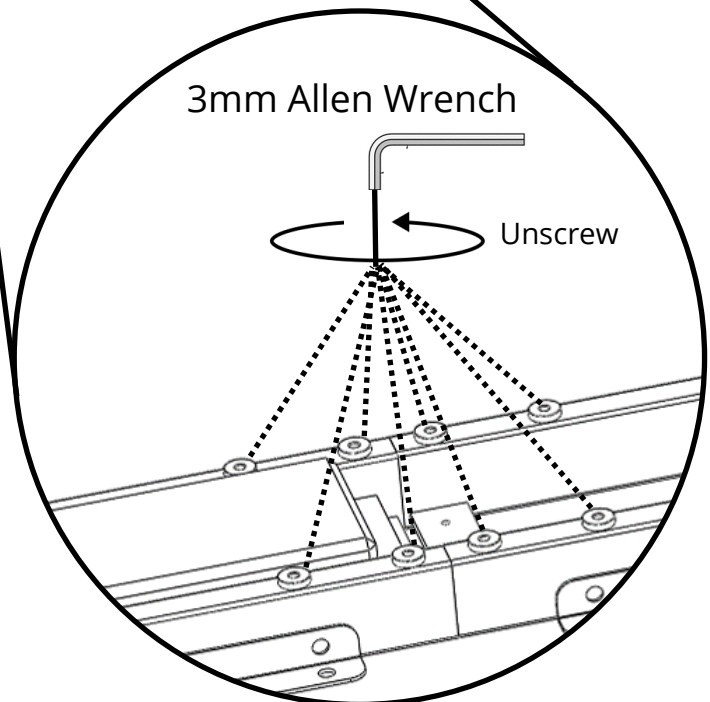
# Assembly Instructions: Unlock Beam

**STEP 4.** Unscrew the eight **M6x6 BOLTS (M)** marked in the diagram below from **SUPPORT BEAM (B)** with **3mm ALLEN WRENCH (H)**.



This unlocks the **SUPPORT BEAM (B)** and allows it to be extended, or shortened to accommodate different sizes of desk tops.

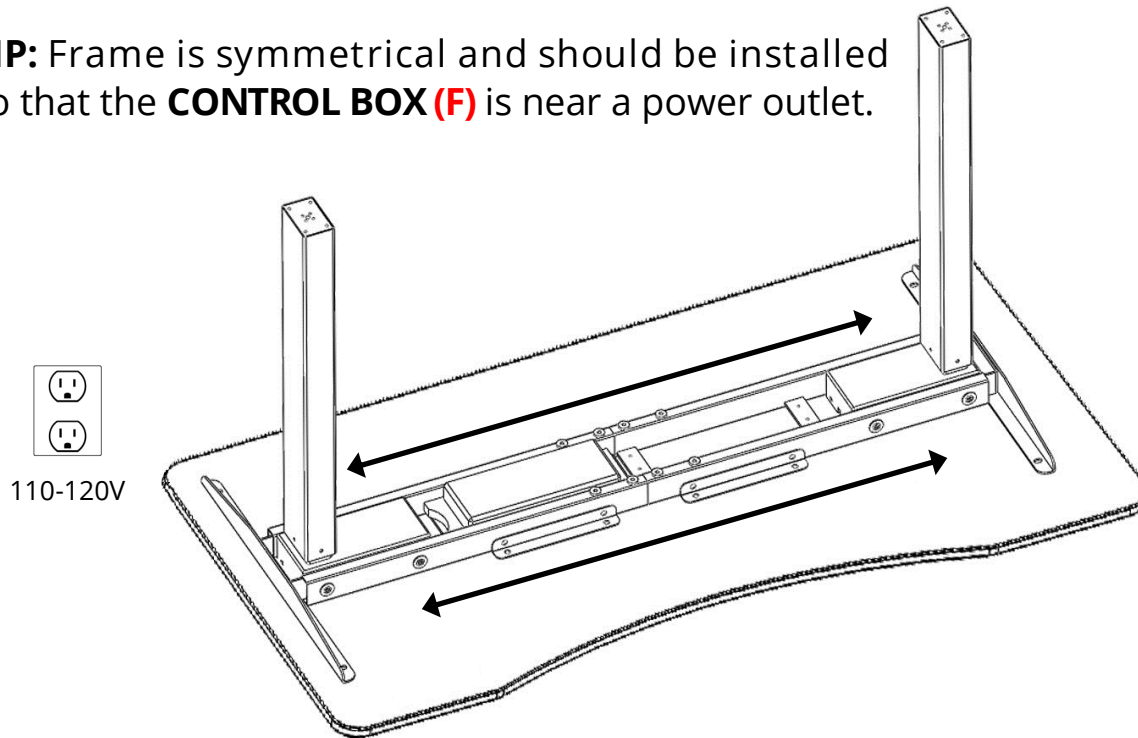
Screw the bolts back in to apply tension against the support beam and lock the top's width after aligning the base with the desk top appropriately.



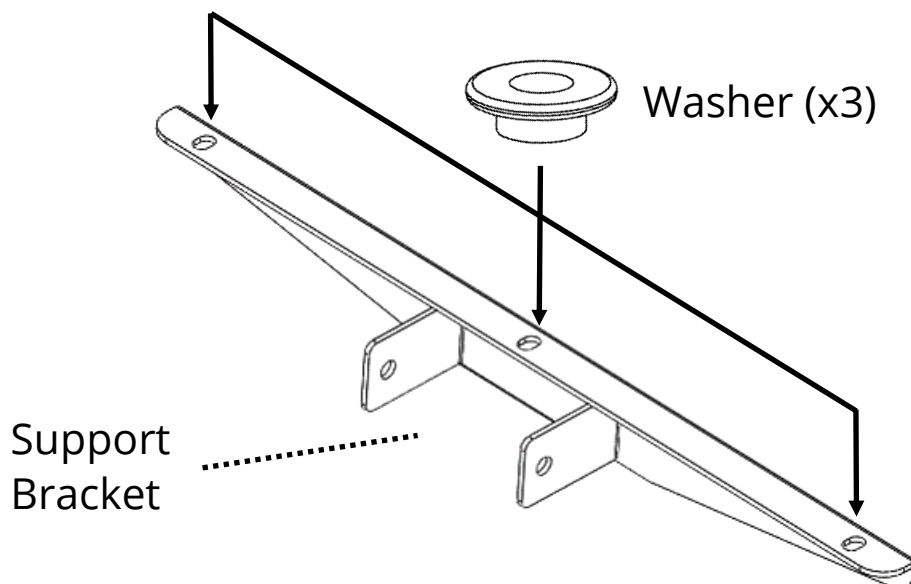
# Assembly Instructions: Align Frame

**STEP 5.** With 2 people, pull or push the **SUPPORT BEAM (B)** to align the mounting holes on the **SUPPORT BRACKETS (E)** with the **TOP (A)**. Seville Classics® Ergo Table Top features pre-installed mounting anchors.

**TIP:** Frame is symmetrical and should be installed so that the **CONTROL BOX (F)** is near a power outlet.



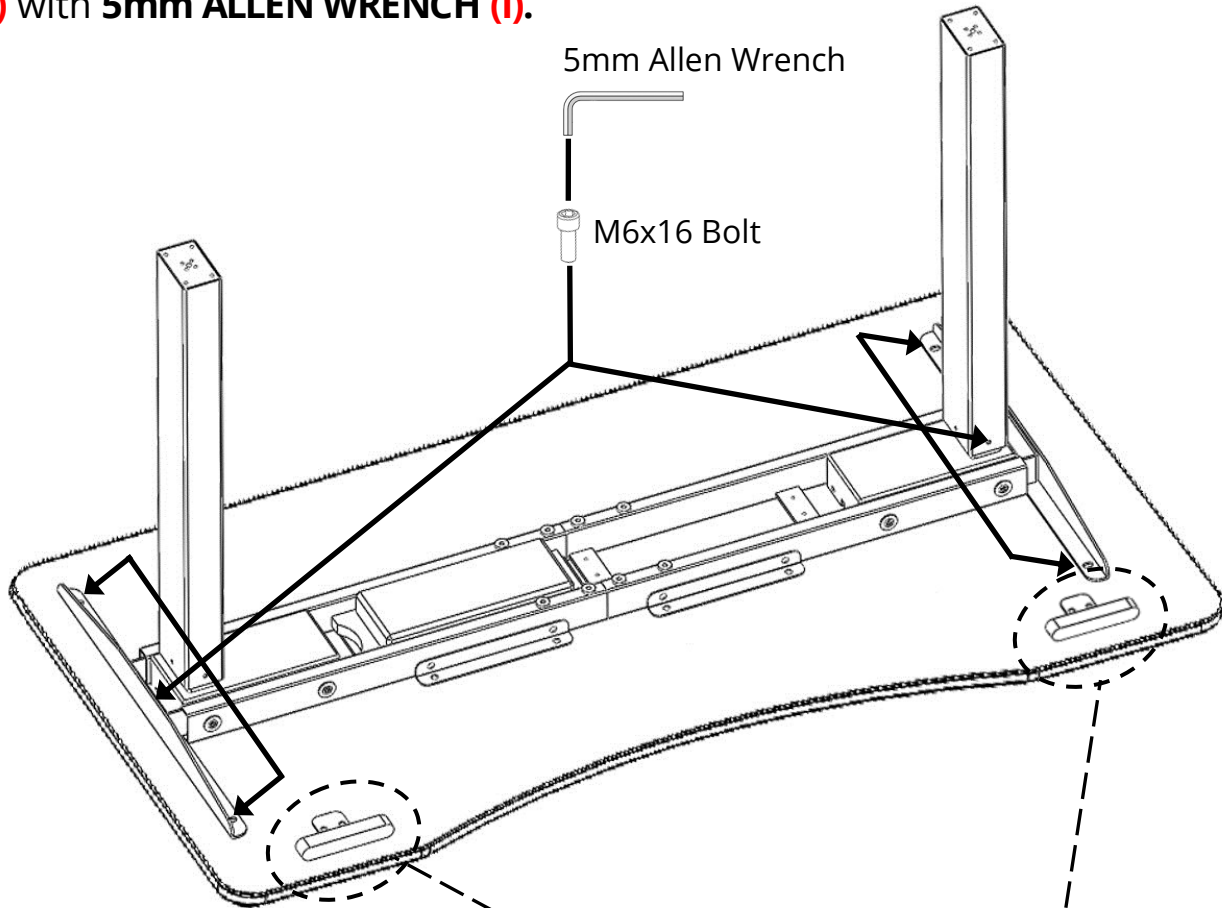
**STEP 6.** Insert **WASHERS (P)** between the **SUPPORT BRACKETS (D)** and the **TOP (A)**. Washers fit into the three mounting holes on each support bracket.



# Seville Classics® Top

## Assembly Instructions: Mounting Ergo Top

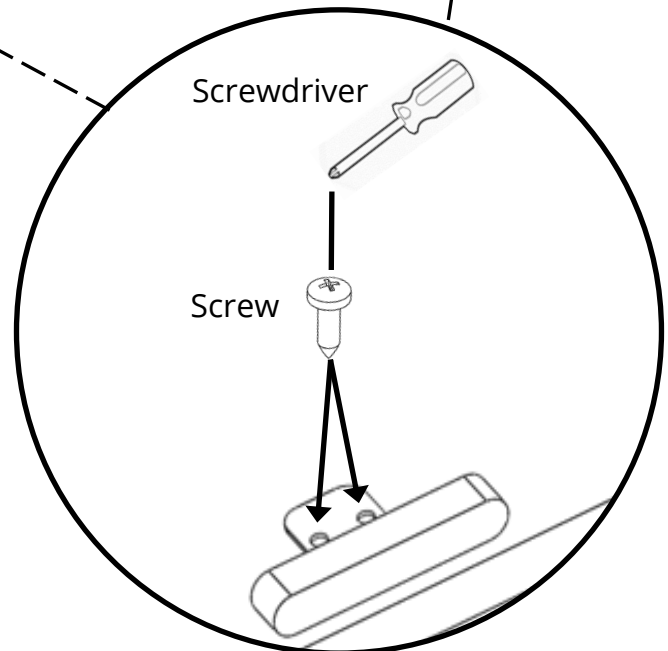
**STEP 7A.** Use three **M6x16 BOLTS (L)** to secure each **SUPPORT BRACKET (D)** with **5mm ALLEN WRENCH (I)**.



Install **CONTROLLER (G)** to side of table with pre-drilled holes for controller.

Attach with two **SCREWS (N)**.

**TIP:** Use an electric screwdriver to install screws more quickly.



# Non-Seville Classics® Top

## Assembly Instructions: Mounting Other Top



WARNING: Seville Classics® does not take responsibility for damage of customer-supplied parts or desk components.



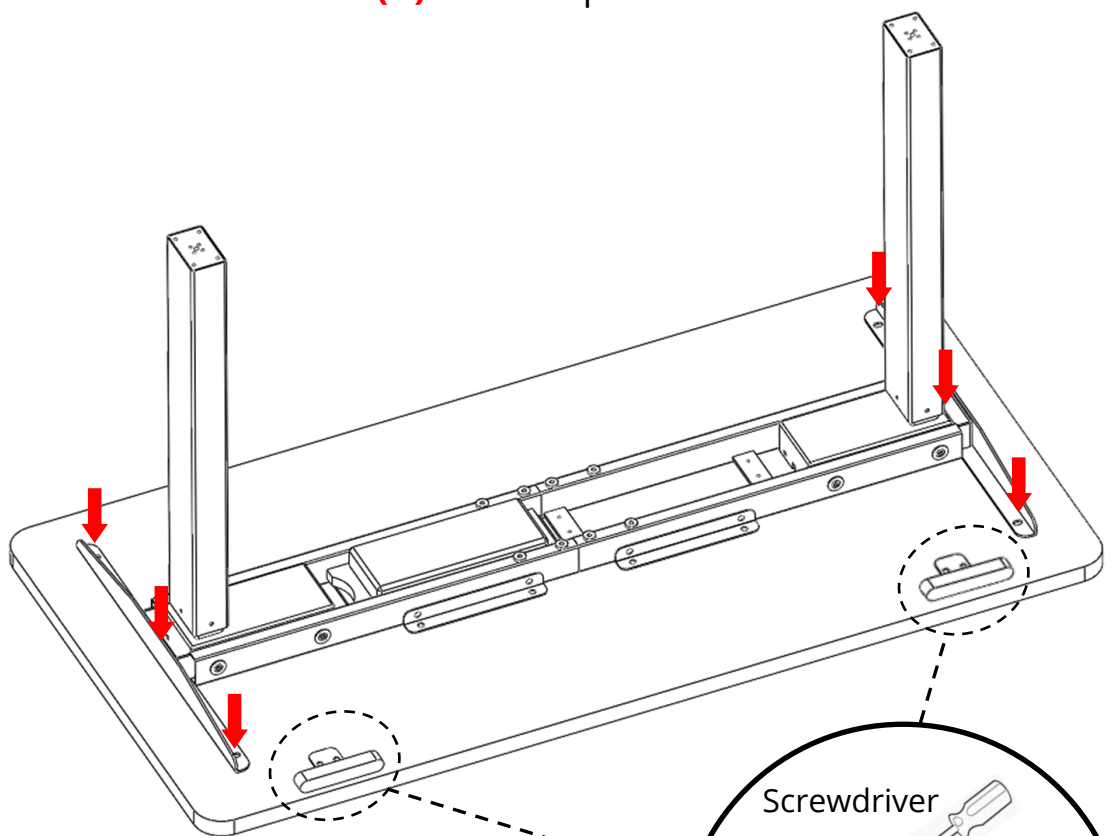
WARNING: Users **MUST** supply their own wood screws when installing their own top.



**BE SURE** screws **ARE NOT** longer than top depth.

**STEP 7B.** Pull or push the **LEGS (C)** on the base frame apart and center the assembly on the **TOP (A)** with about 2" to 3" between **SUPPORT BRACKETS (D)** and the table edge.

Screw **SUPPORT BRACKETS (D)** to the top.

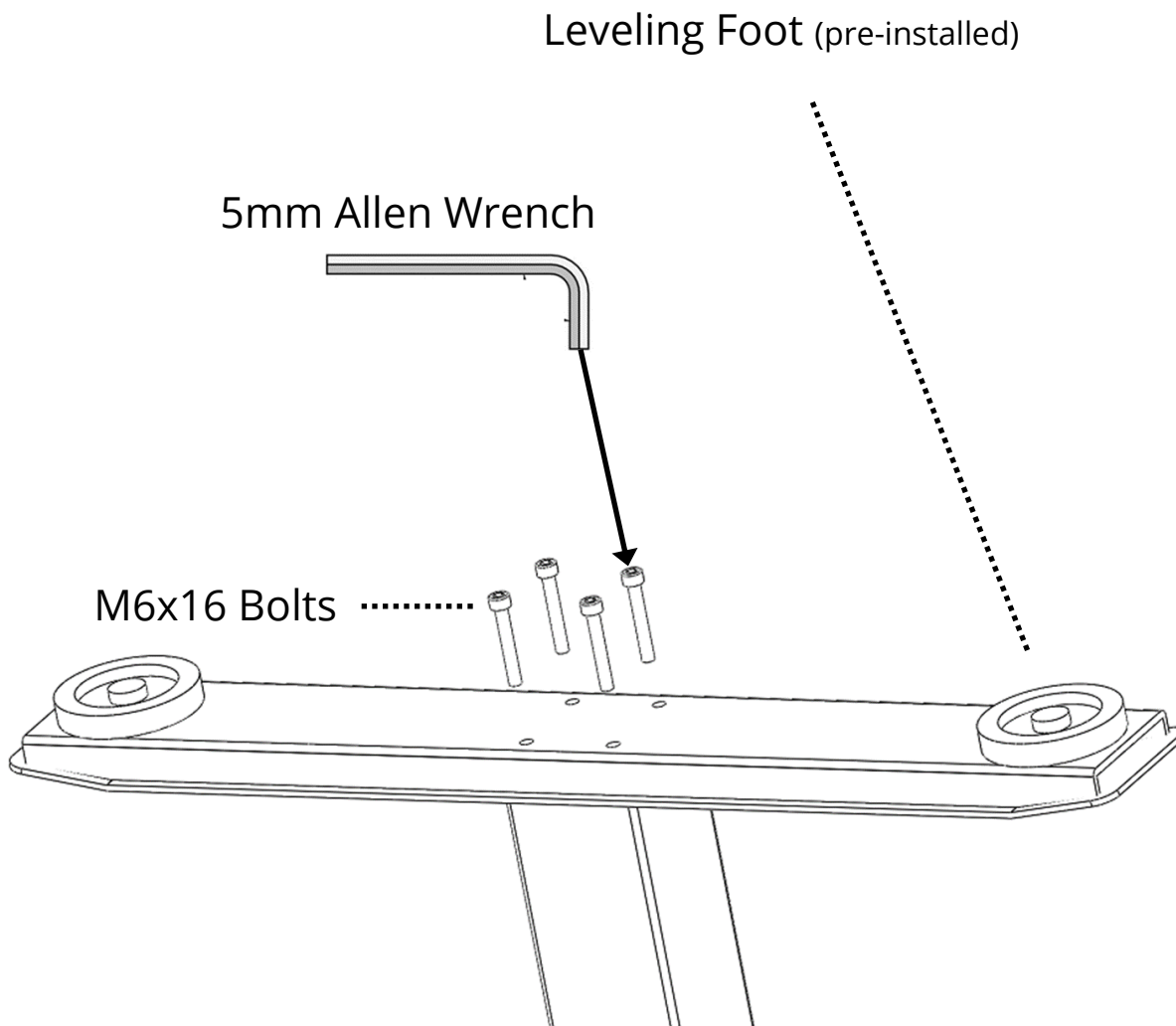


Install **CONTROLLER (G)** to either side of the desk top with two **SCREWS (N)**.

**TIP:** Use an electric screwdriver to install screws more quickly.

# Assembly Instructions: Installing Feet

**STEP 8.** Attach **FEET (E)** to the bottom of table legs with four **M6x16 BOLTS (M)** and **5mm ALLEN WRENCH (I)**.



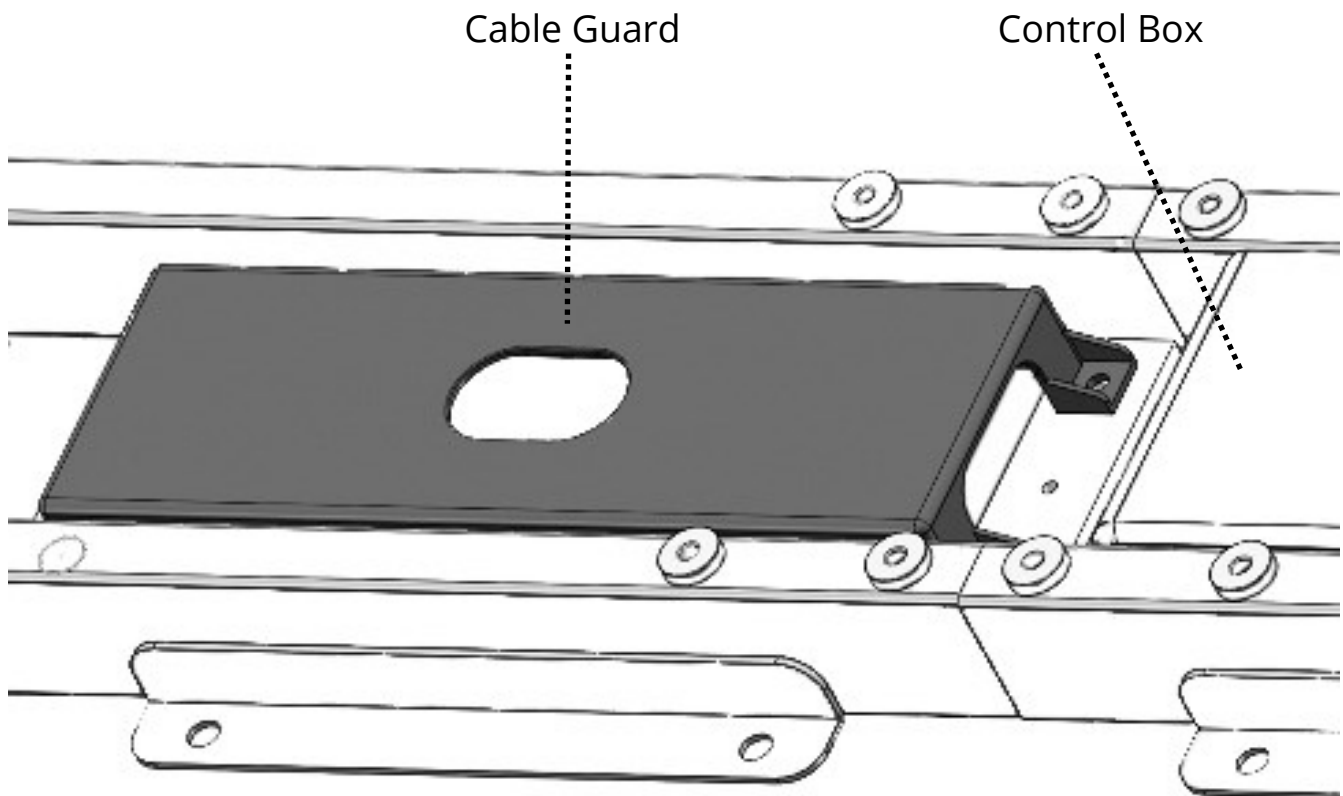
Take this time to make sure all screws and bolts have been secured tightly.



# Assembly Instructions: Cable Management

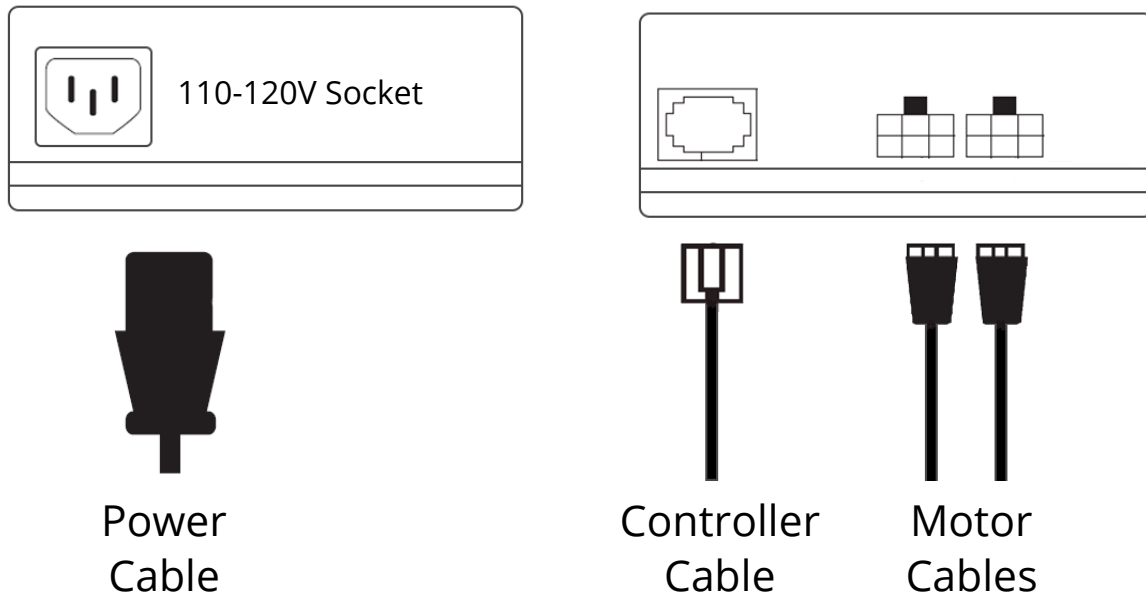
**STEP 9.** Identify the **MOTOR CABLES** coming from the **LEGS (C)**.  
Identify the **CONTROLLER CABLE** coming from the **CONTROLLER (G)**.

Guide them through the cable guard toward the **CONTROL BOX (F)**.





# Assembly Instructions: Connect Cables



**STEP 10.** Plug the cable from the **CONTROLLER (G)** to the left-side port on the **CONTROL BOX (F)**.

Then, plug the cables from the motors into the two right-side ports on the **CONTROL BOX (F)**.

**NOTE: Motor cables can connect to either port interchangeably.**

Plug **Power Cable** into the other side of the control box and into a 120V power outlet.

**DO NOT USE UNTIL INITIALIZATION IS COMPLETED**

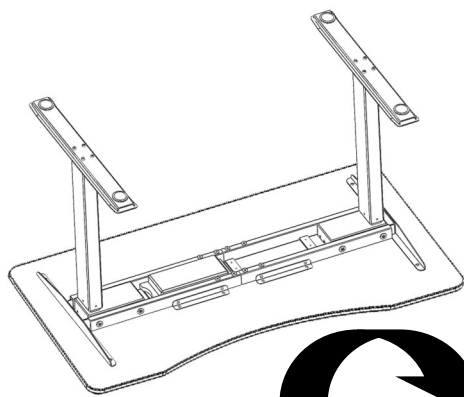
# Assembly Instructions: Turn Desk Over



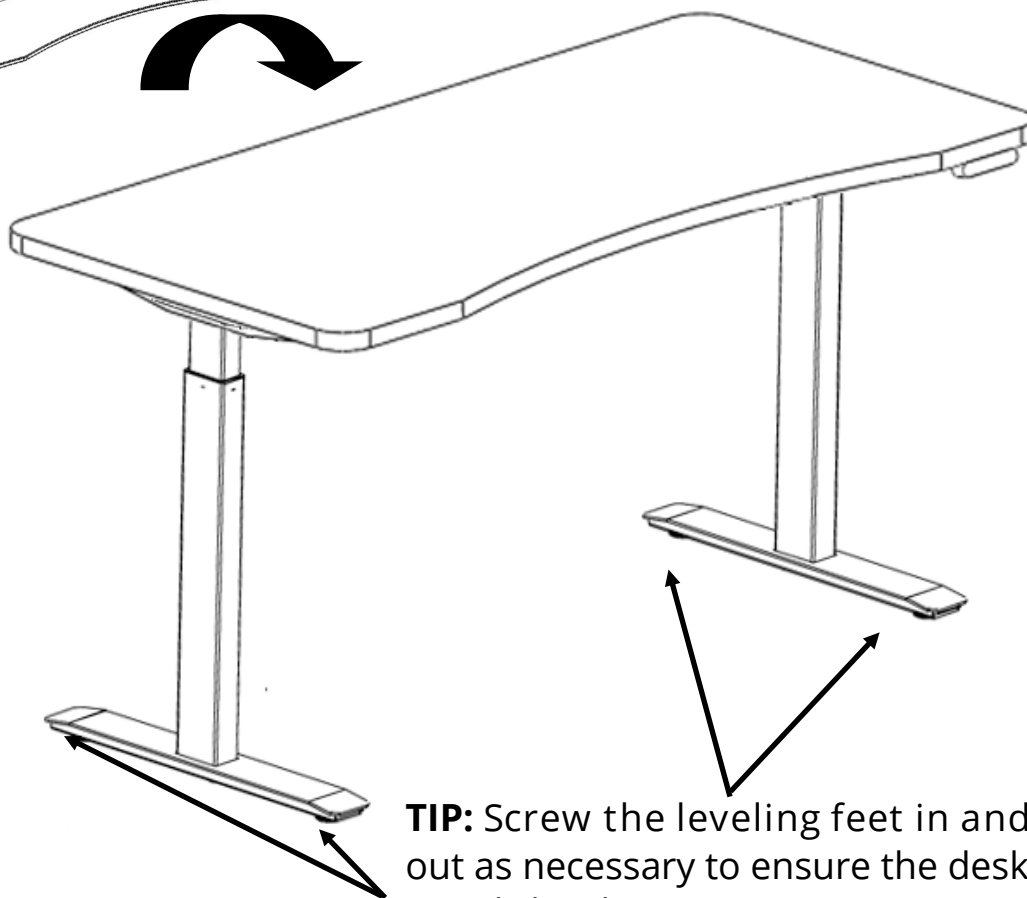
WARNING: TWO PEOPLE ARE NECESSARY TO TURN TABLE.  
DESK IS HEAVY. LIFT WITH EXTREME CAUTION.



**STEP 11.** With the help of at least one other person, turn the desk onto its feet. Desk with top weights approximately **120 lbs.**



Lift with 2 people



**TIP:** Screw the leveling feet in and out as necessary to ensure the desk stands level.

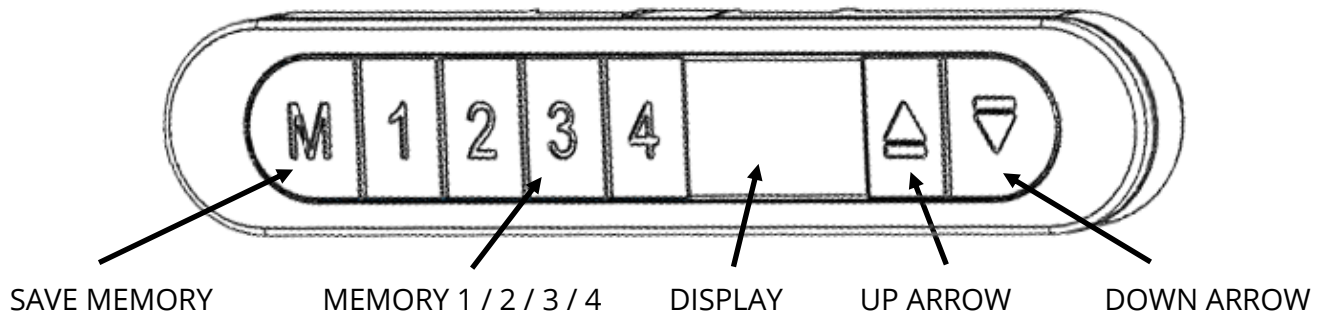


**DO NOT** put weight on desk yet.



# Initialization & Use Instructions

**DESK MUST BE INITIALIZED BEFORE YOUR FIRST USE**



## Initialize

Press and hold the **UP ARROW** and **DOWN ARROW** simultaneously on the controller until three blinking zeros appear on the display, then release.

The desk will descend to its lowest height, then rise to its highest height, and then descend to middle-height.

When the number **38 (+/- 1)** appears on the display, the desk is ready.

It may be necessary to reinitialize the desk from time-to-time due to power outages or simply due to use over time.

If necessary, follow the above instructions to re-initialize.

## Adjust Height

Press and hold the **UP ARROW** to lift.

Press and hold the **DOWN ARROW** button to lower.

## Save Height

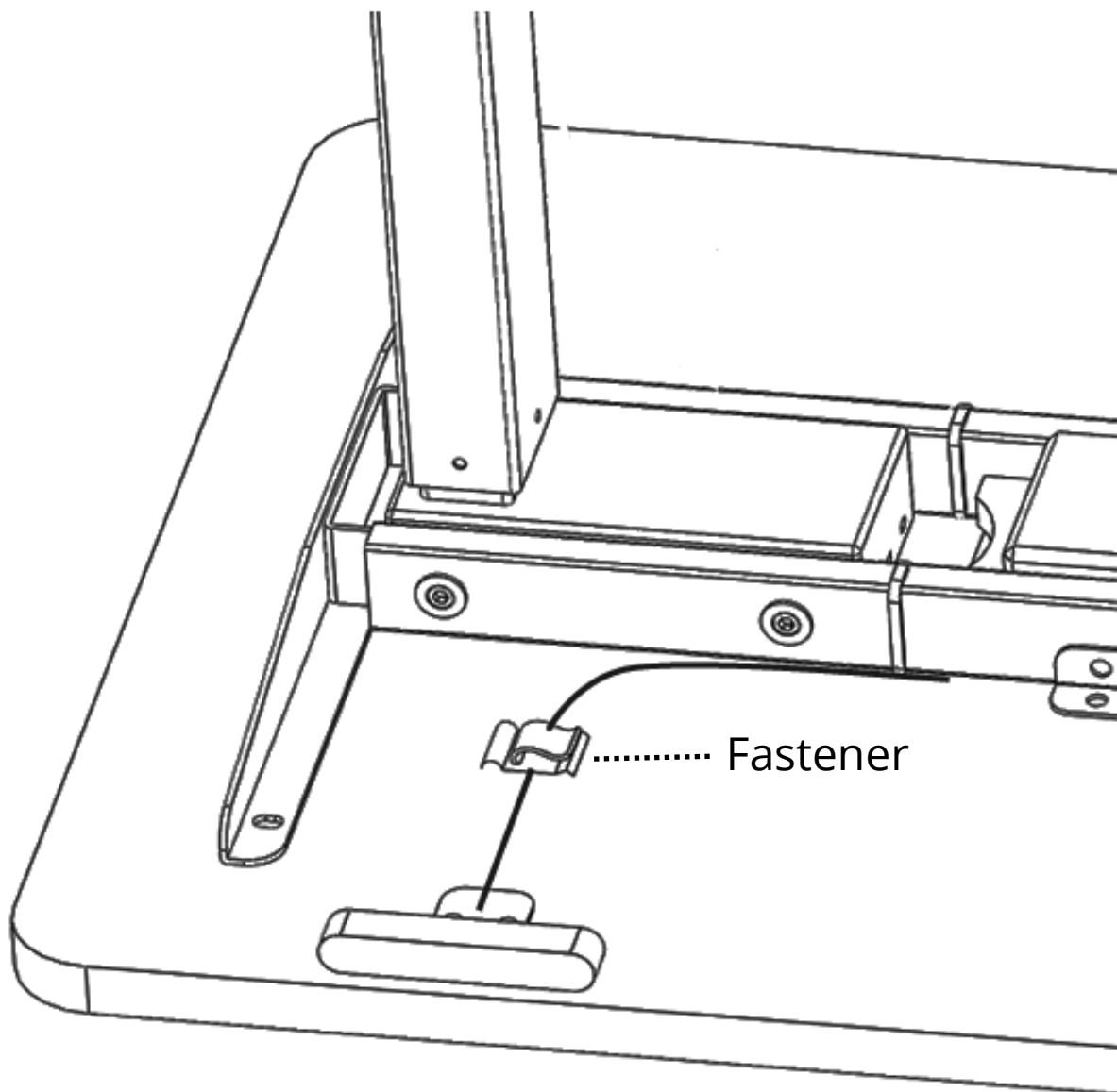
Press and hold the **M button + Number button** for 1 to 3 seconds until the displayed number starts blinking.

## Recall Height

Press the desired **Number button** twice, or press and hold to adjust to the height stored at that number.

# Cable Management

Use **ZIP-TIES (R)** to attach the cables from the **CONTROLLER (G)** and **CONTROL BOX (F)** to the **SUPPORT BEAM (B)** so that the cables won't snag or get in the way as the desk moves up and down.

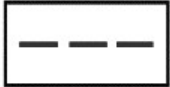
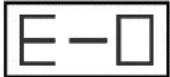
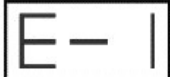
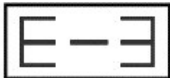

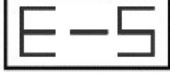
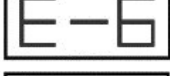
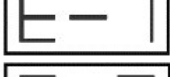
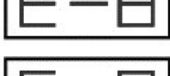
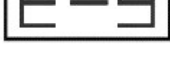


Stick **FASTENERS (Q)** to the underside of the desk top near the controller. Thread the cable through the clip on the **FASTENER (Q)** to keep the wires close to the table.

# Troubleshooting

Problem	Action
Desk does not go up or down and the controller <b>does not illuminate</b> when any button is pressed.	Check all connections. Make sure power cord is plugged into the control box and a power outlet. Press any button on the controller and make sure it illuminates. Re-initialize the desk.
Desk does not go up or down and the controller <b>illuminates</b> when any button is pressed.	Unplug the power cord and re-plug after 10 seconds. Re-initialize the desk. If the problem persists, switch motor cables from one port to another at control box and re-initialize again.
Columns do not go up evenly.	Unplug the power cord and re-plug after 10 seconds. Re-initialize the desk. If the problem persists, switch motor cables from one port to another at control box and re-initialize again.
Desk wobbles excessively.	It is normal that desk moves slightly at standing height when in use. Retighten all screws and bolts, and adjust leveling feet to make sure table stands level.
HOT is displayed on the panel.	The desk motors are overheated. Stop using the desk for 10 minutes and let them cool down.
Desk legs are noisy.	It is normal that desk makes noise when the stages move past each other. Apply silicon-based lubricant if it is unusually noisy.

## Error Codes

Code	Action
 ---	Re-initialize the system
 E-0 Control system malfunction	Please contact customer service
 E-1 Voltage irregularity	Please contact customer service
 E-3 Over-load protection activated	Remove weight from desk top until error clears
 E-4 Overheat or power supply failure	Let desk cool down for 10 minutes before using again
 E-5 Irregular Hall signal from Motor A	Unplug and re-plug power cord, and reset the desk. If problem persists, switch motor cables at the control box and re-initialize.
 E-6 Motor A malfunction	Unplug and re-plug power cord, and re-initialize. If problem persists, switch motor cables at the control box and re-initialize.
 E-7 Motor B malfunction	Unplug and re-plug power cord, and re-initialize. If problem persists, switch motor cables at the control box and re-initialize.
 E-8 Lose connection or, irregular Hall signal	Check all cables and make sure they're connected. Switch motor cables at the control box and re-initialize.
 E-9 Irregular Hall signal on Motor B	Unplug and re-plug power cord, and re-initialize. If problem persists, switch motor cables at the control box and re-initialize.

# Warranty Information

## **7-Year Non-Electronic Component Warranty**

Seville Classics, Inc. warrants to the original retail purchaser that if this product proves to be defective in material or workmanship, we will replace the affected **non-electronic part(s)** for a period of **seven years** on Seville Classics AIRLIFT® S2 Electric Height-Adjustable Standing Desks from the date of original purchase.

## **2-Year Electronic Component Warranty**

Seville Classics, Inc. warrants to the original retail purchaser that if this product proves to be defective in material or workmanship we will replace the affected **electronic part(s)** for a period of **two years** on Seville Classics AIRLIFT® S2 Electric Height-Adjustable Standing Desks from the date of original purchase.

Except for the express warranty set forth above and except to the extent prohibited by applicable law, Seville Classics grants no other express or implied warranties with respect to the product, its fitness for any purpose, its quality, or its merchantability. The liability of Seville Classics under the warranty shall be limited to the amount paid by the customer for the product. Seville Classics shall not be liable for any loss of use of the product, or other incidental or consequential costs, expenses or damages incurred by the customer or other user.

This warranty covers only the AIRLIFT® S2 Height-Adjustable Standing Desk sold in the United States of America and Canada. Some states do not allow the exclusion or limitations of implied warranties or consequential damages, so the above limitations or exclusions may not apply to you. This warranty gives you specific legal rights, and you may also have other rights that vary from state to state.

During the applicable warranty period, Seville Classics, at its option, will either refund the original purchase price or replace the affected part(s) with comparable part(s) when the affected part(s) are returned, postage prepaid, to the address below:

Seville Classics Inc.  
19401 South Harborage Way  
Torrance, CA 90501 – 1322 U.S.A.

To obtain service under this warranty, you must:

1. Register your product at [www.SevilleClassics.com/warranty](http://www.SevilleClassics.com/warranty)
2. Contact our customer service at (800) 323-5565 or email [support@sevilleclassics.com](mailto:support@sevilleclassics.com);
3. Return the affected part(s) postage prepaid to Seville Classics pursuant to our customer service representative; and
4. Include in the package:
  - A. A copy of the original bill of sale, your charge or credit receipt, or other satisfactory proof of the date of the original purchase date of the product, and the price paid; and
  - B. A short detailed description of the problem, the name and phone number of the contact person.

# More from Seville Classics®

Visit us at [www.SevilleClassics.com](http://www.SevilleClassics.com) for additional desk tops, bases, and other home goods.



**OFF65811**

Black



**OFF65812**

White



**OFF65813**

Walnut

## Seville Classics® Ergo Table Top

Choose the desk top that just plain *works*. Seville Classics® Ergo Table Tops pair with our AIRLIFT® Electric Standing Desk frames out of the box.

Visit us at [www.SevilleClassics.com](http://www.SevilleClassics.com) for desk accessories, as well as home storage and organization goods.

Live well with features like:

### Beveled Edges

Desk edges feature an inward bevel for user comfort, allowing users to lower the desk further and pull in closer, comfortably.

### Durable Construction

Designed to be lightweight and tough, the top is constructed from MDF and sealed in 3-D laminate.

### Ergonomic Curve

Curved desktop allows you to stand closer while working for a more "you" focused workspace.

### Color Options

Enjoy your desk in a smooth black finish, brilliant white, or an earthy walnut hue.

# Specifications

Maximum Height: **47.4"**

Minimum Height: **27.7"**

Minimum Width: **45"**

Maximum Width: **62.9"**

Footprint: **48" W x 23.75" D**

Lifting Speed: **1.5" per second**

Base Weight: **69.4 lbs.**

Maximum Weight Capacity (with Seville Classics® Ergo Top): **264 lbs.**

# Customer Service Information

**Telephone:** (800) 323-5565

**Fax:** (310) 533-3899

**Hours:** 8:30 AM – 4:30 PM (PST)

**Email:** [Support@SevilleClassics.com](mailto:Support@SevilleClassics.com)

**Homepage:** [www.SevilleClassics.com](http://www.SevilleClassics.com)