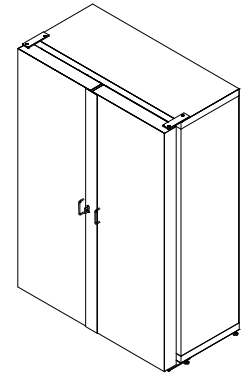
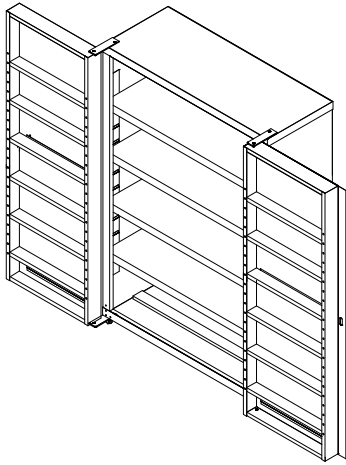




www.globalindustrial.com
1-800-645-2986

KD BIN CABINET SHELF INSTALLATION



CONTENTS		
REF.	QTY.	DESCRIPTION
1	4	CABINET SHELF
2	12	DOOR SHELF
H1	24	
H2	24	

CABINET SHELF INSTALLATION

DOOR SHELF INSTALLATION

